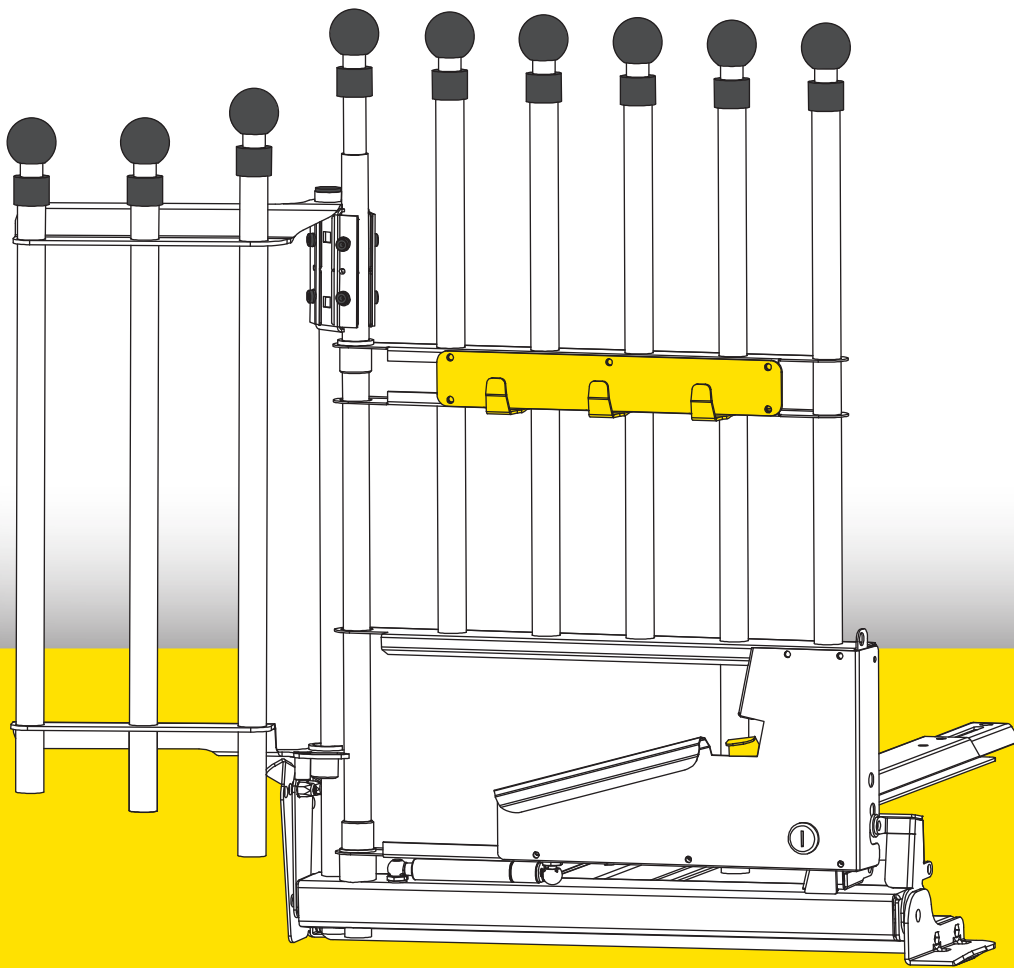


# mimSAFE

[www.mimsafe.com](http://www.mimsafe.com)



ASSEMBLY INSTRUCTIONS

# VARIOGATE

single





## IMPORTANT

### GENERAL

VarioGate is made to create an enclosed area of the entire luggage compartment that can be used for transport of dogs or anything else you want to keep protected. VarioGate is adjustable in terms of height, width and depth, making it suitable for most cars without a threshold in the rear.

The VarioGate is made of splinter proof and energy absorbing materials. It has undergone rigorous crash tests. It's design-protected and made of galvanized steel painted with a very weather-resistant polyurethane paint suitable for its use. The doors are equipped with a gas spring that keeps the door open when needed.

### BEFORE YOU BEGIN

Ensure that you work on a flat surface. If the VarioGate is assembled indoors, protect the floor with a blanket or carpet to avoid damage during assembly. Read the instruction carefully before you begin, it gives you a better understanding when you work step by step during the assembly. You can assemble the VarioGate by yourself, but it helps a lot to be two during some of the assembly steps.

### RECOMMENDED AREA OF USE

VarioGate should be installed in the luggage compartment of the car.

### CRASH TEST

This model is crash tested at **Rise Research Institutes of Sweden AB** Frontal Impact test of a VarioGate according to ECE Regulation No. 17

Test protocol is available from the manufacturer on request.

### DAILY INSPECTION

- Make sure the VarioGate is intact
- That there's no sharp edges
- That the door lock works
- Check the straps and that it is attached to the vehicle's cargo loops

### CLEANING

Use a soft cloth with water and mild soap.

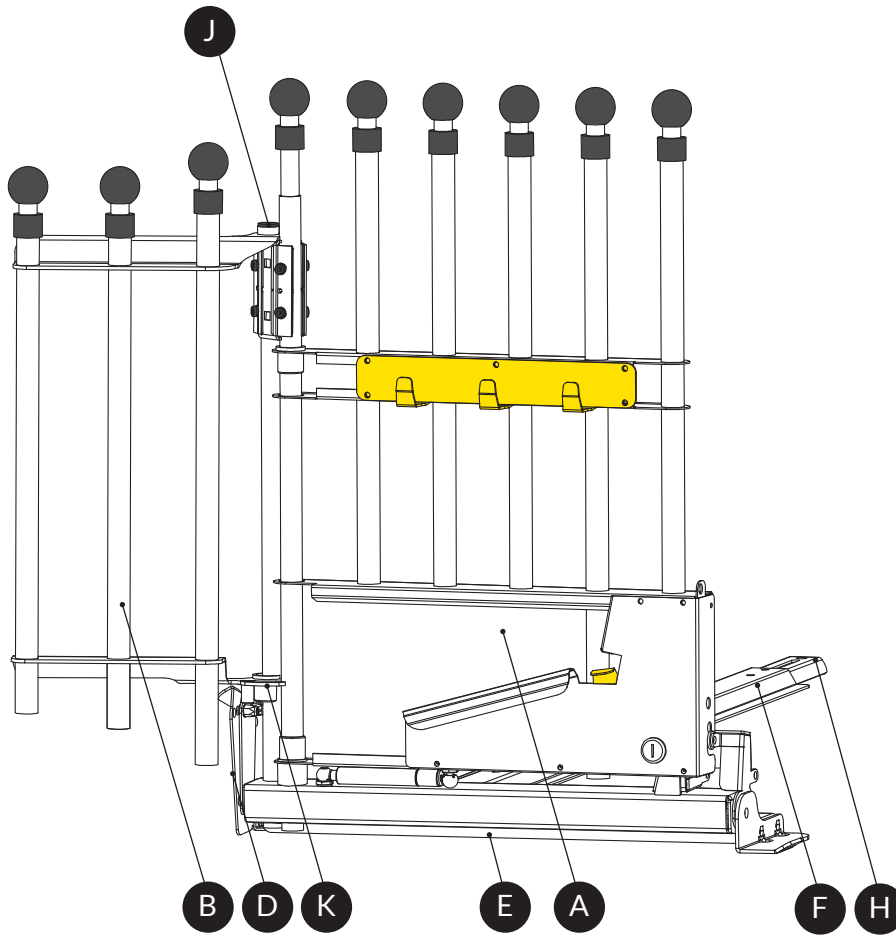
### The story of MIMsafe

For more than 30 years, MIMsafe has worked with functional design and manufacturing of safety products for the modern automotive industry. With documentation from hundreds of crash tests and in close collaboration with the major car manufacturers, safe products have been developed and transformed into knowledge. Under the well-known brand name MIMsafe, we have become the leading manufacturer of crash tested and crush proofed non-whiplash dog cages all over the world.

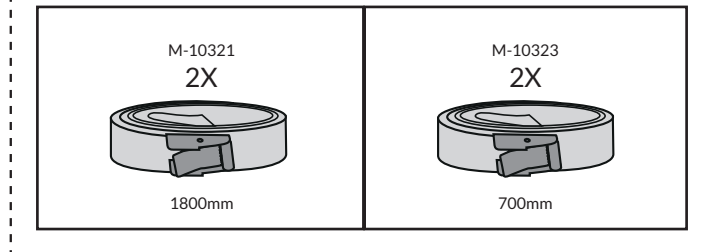
### MANUFACTURER

MIM Construction AB  
Myren 125  
SE-462 94 Frändefors  
Sweden

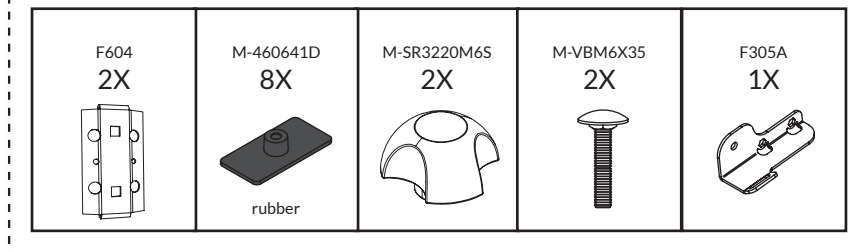
+46 10 55 00 450  
info@mim.se  
www.mimsafe.com



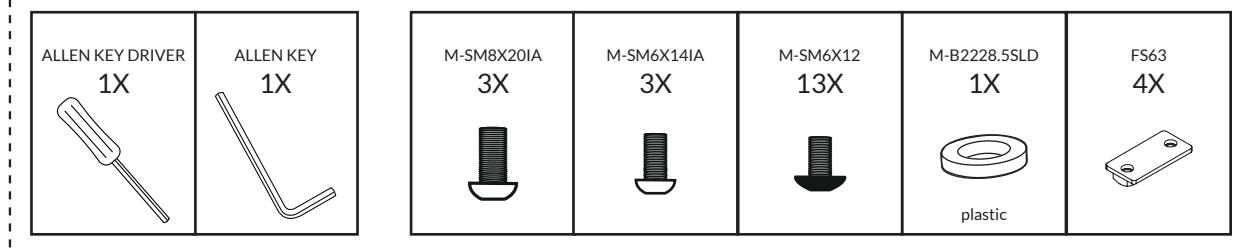
**BAG #1** Product no. 00285-MS-1

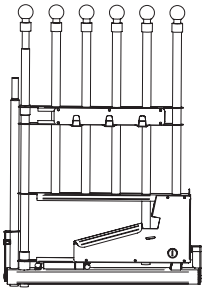


**BAG #2** Product no. 53152-MS-2



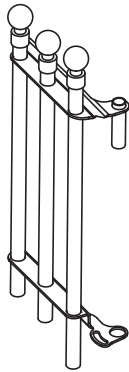
**BAG #3** Product no. 53152-MS-3





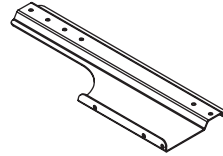
**A** Door section

FS606A	1X
Art.no	No of items



**B** Left wing

FS603-3	1X
Art.no	No of items



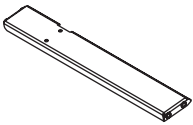
**C** Left foot

F337AL	1X
Art.no	No of items



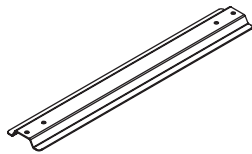
**D** Left angle plate

F337L	1X
Art.no	No of items



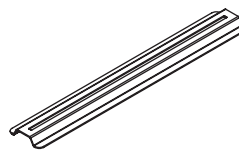
**E** Floor plate

F299C	1X
Art.no	No of items



**F** Foot plate #1

F336	1X
Art.no	No of items



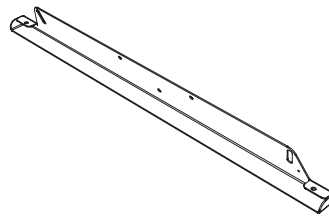
**G** Foot plate #2

F336A	1X
Art.no	No of items



**H** Foot plate #3


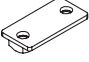
F336B	1X
Art.no	No of items



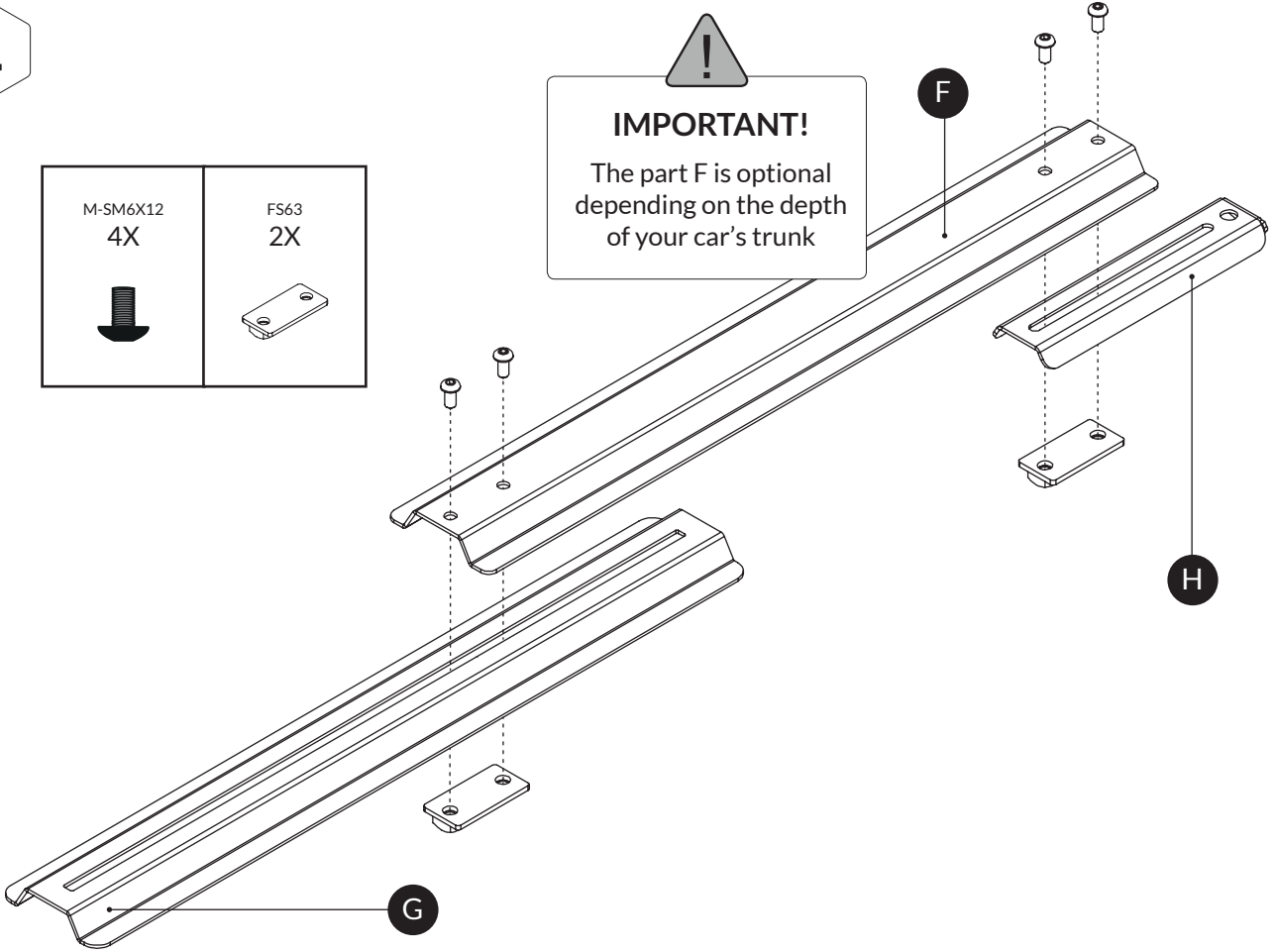
**L** Front floor plate

F530	1X
Art.no	No of items



STEP  
**1**

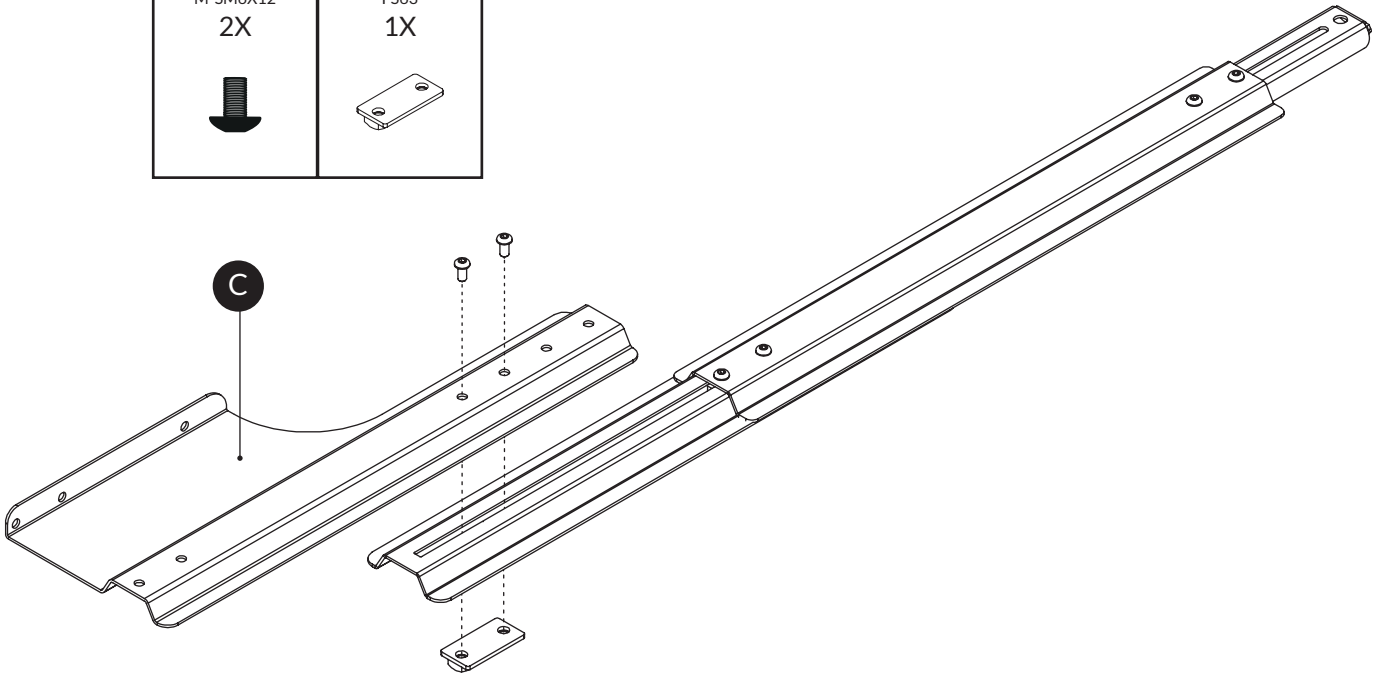
M-SM6X12 4X 	FS63 2X 
---	---

**!**  
**IMPORTANT!**  
The part F is optional  
depending on the depth  
of your car's trunk





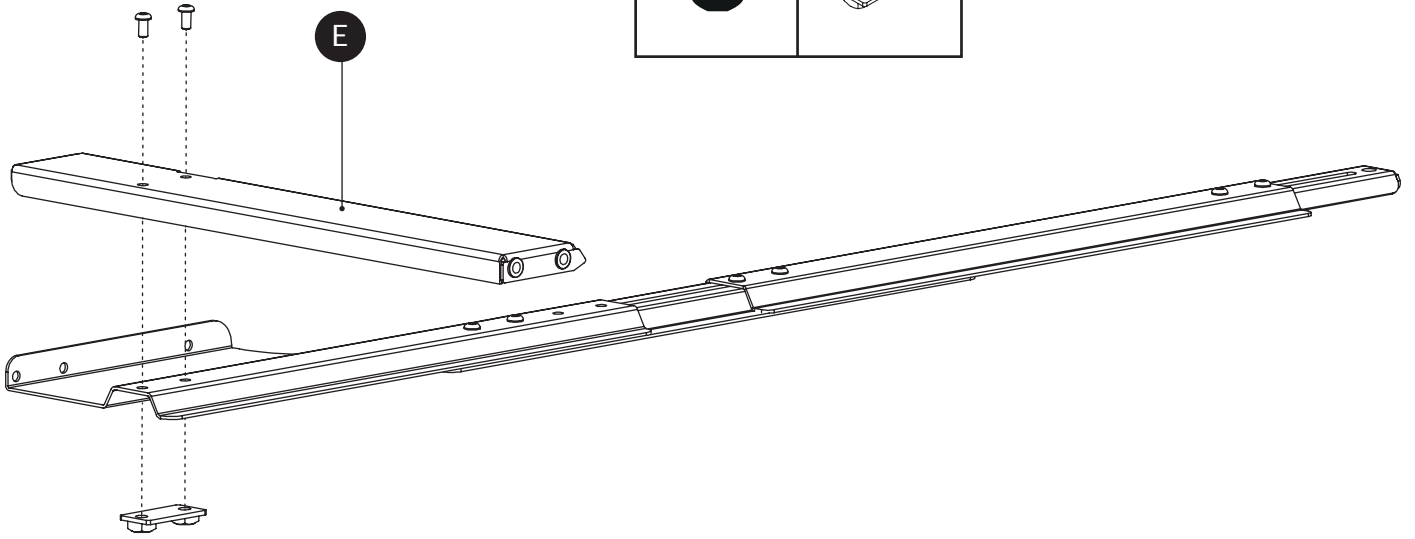
STEP  
**2**

M-SM6X12 2X 	FS63 1X 
---	---

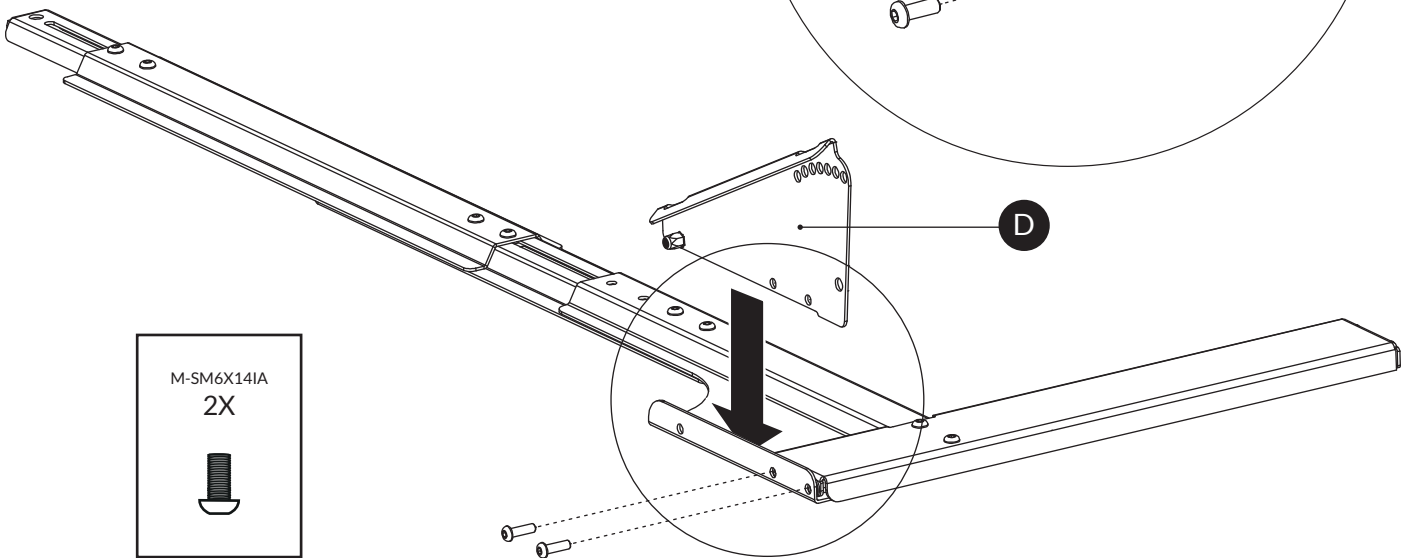
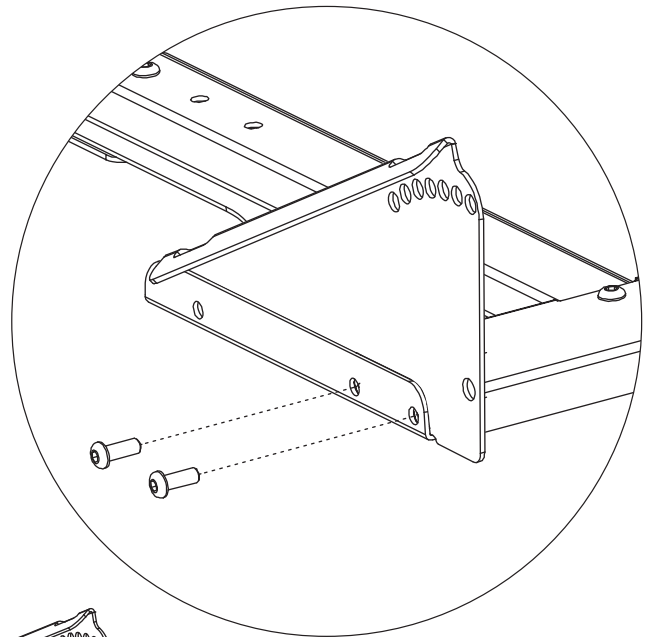


STEP  
**3**

M-SM6X12 2X	FS63 1X
	



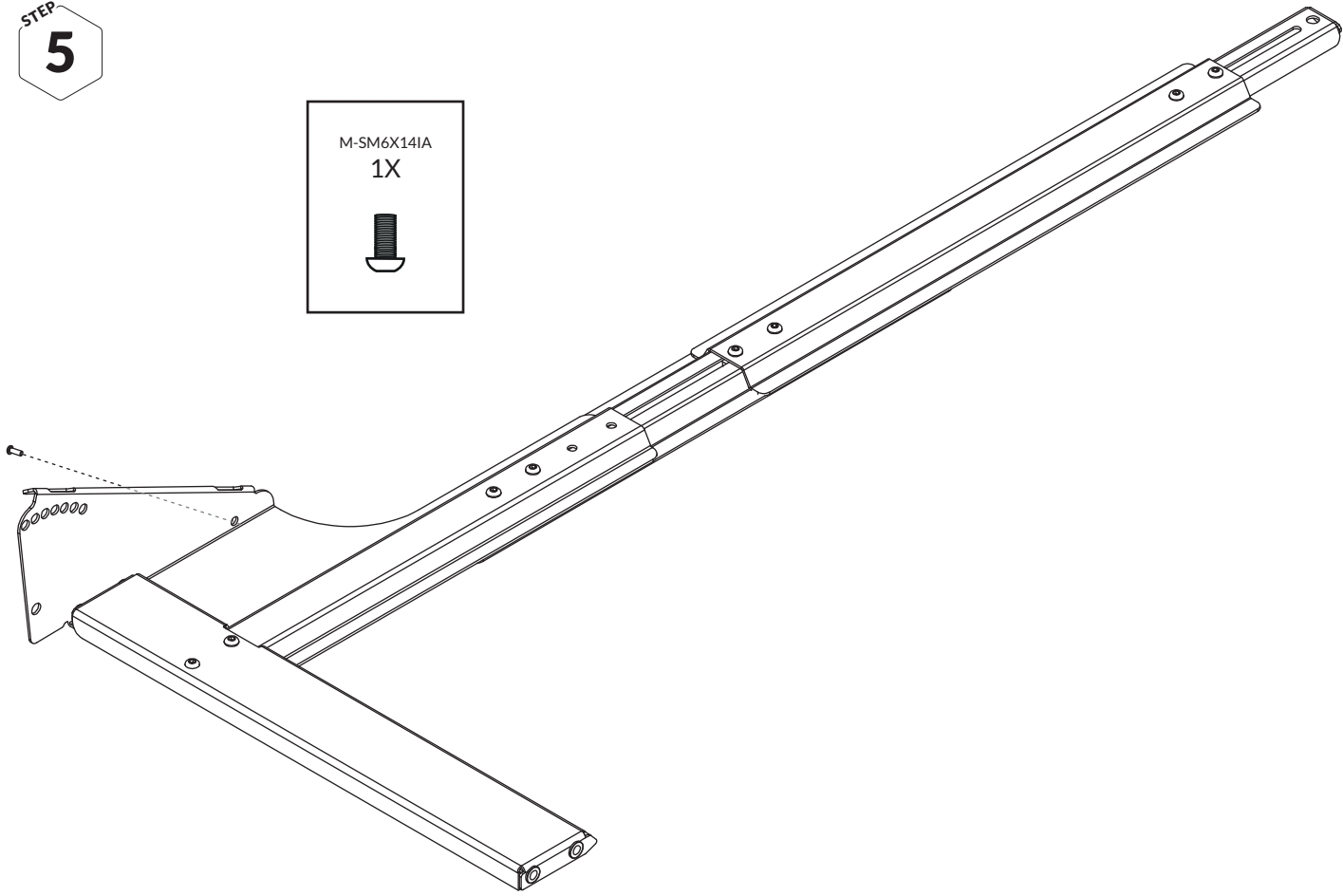
STEP  
**4**



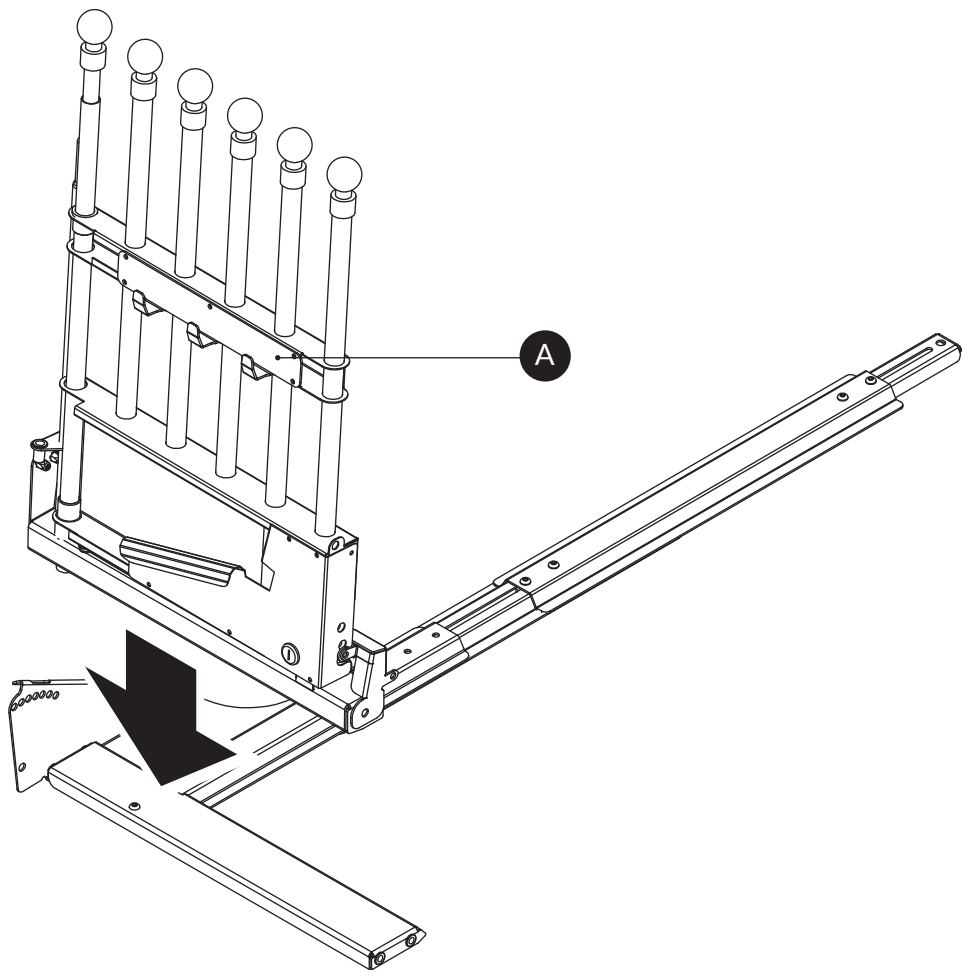
M-SM6X14IA 2X


STEP  
**5**

M-SM6X14IA  
1X



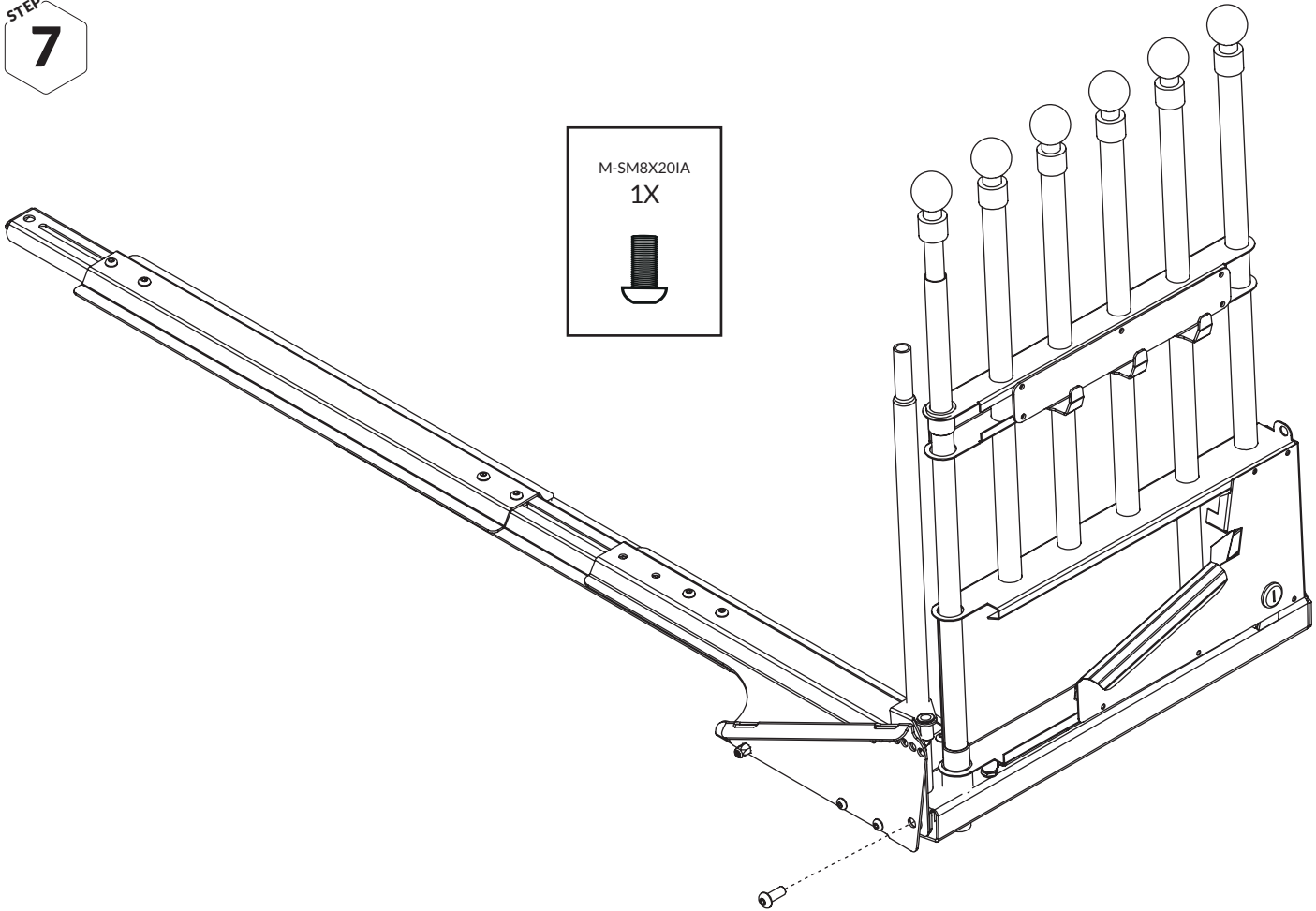
STEP  
**6**






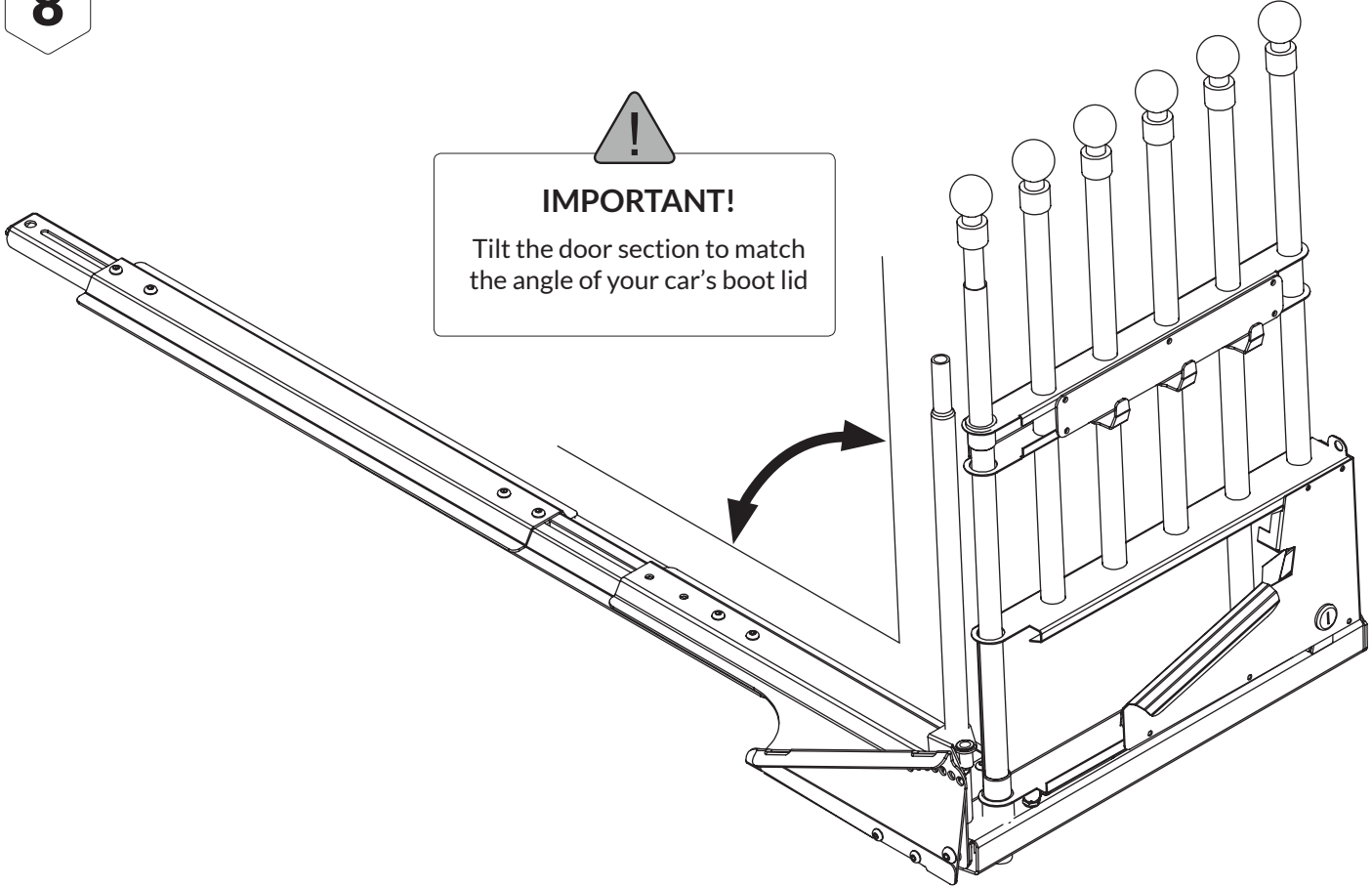
STEP  
**7**

M-SM8X20IA  
1X



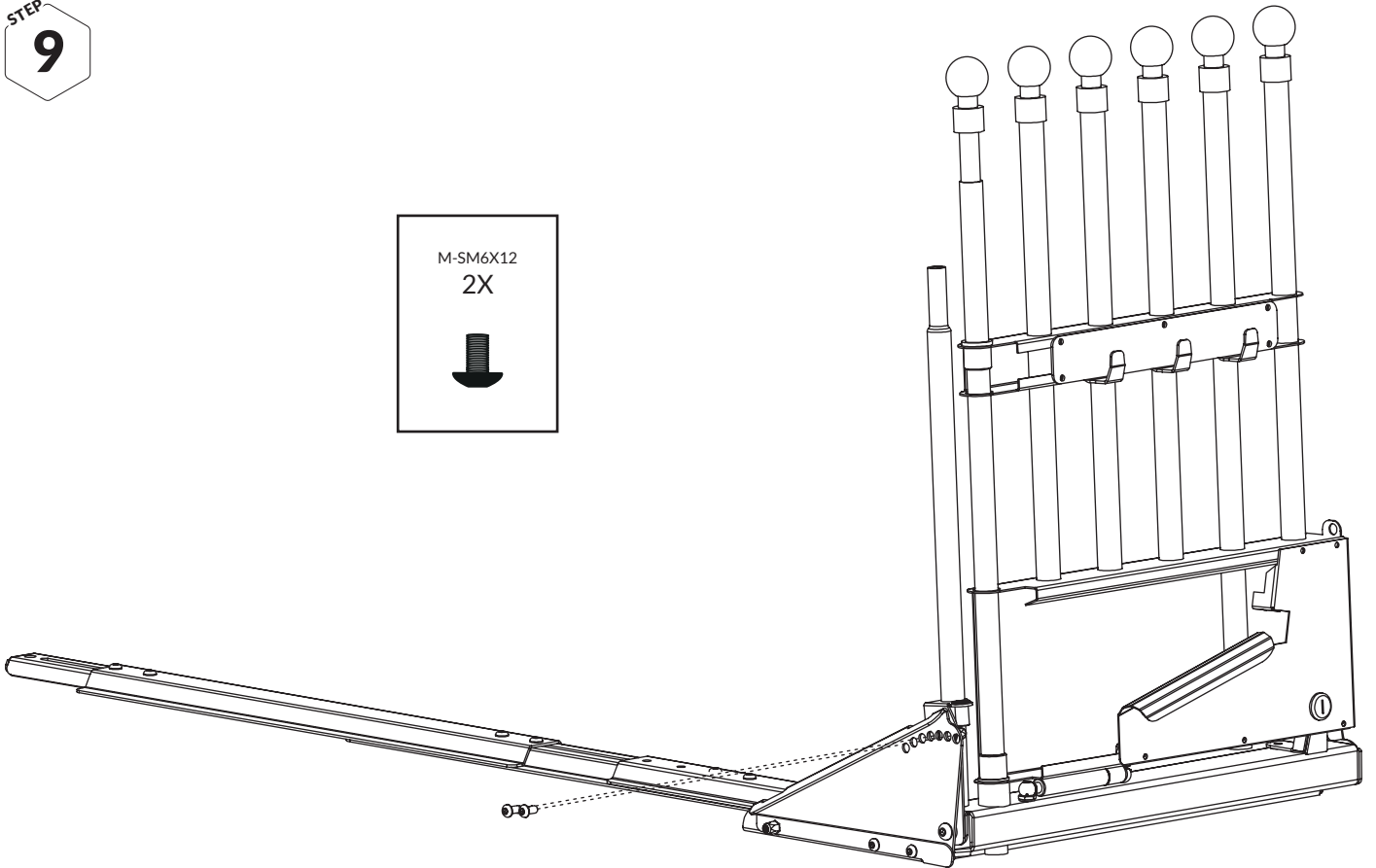
STEP  
**8**

  
**IMPORTANT!**  
Tilt the door section to match  
the angle of your car's boot lid



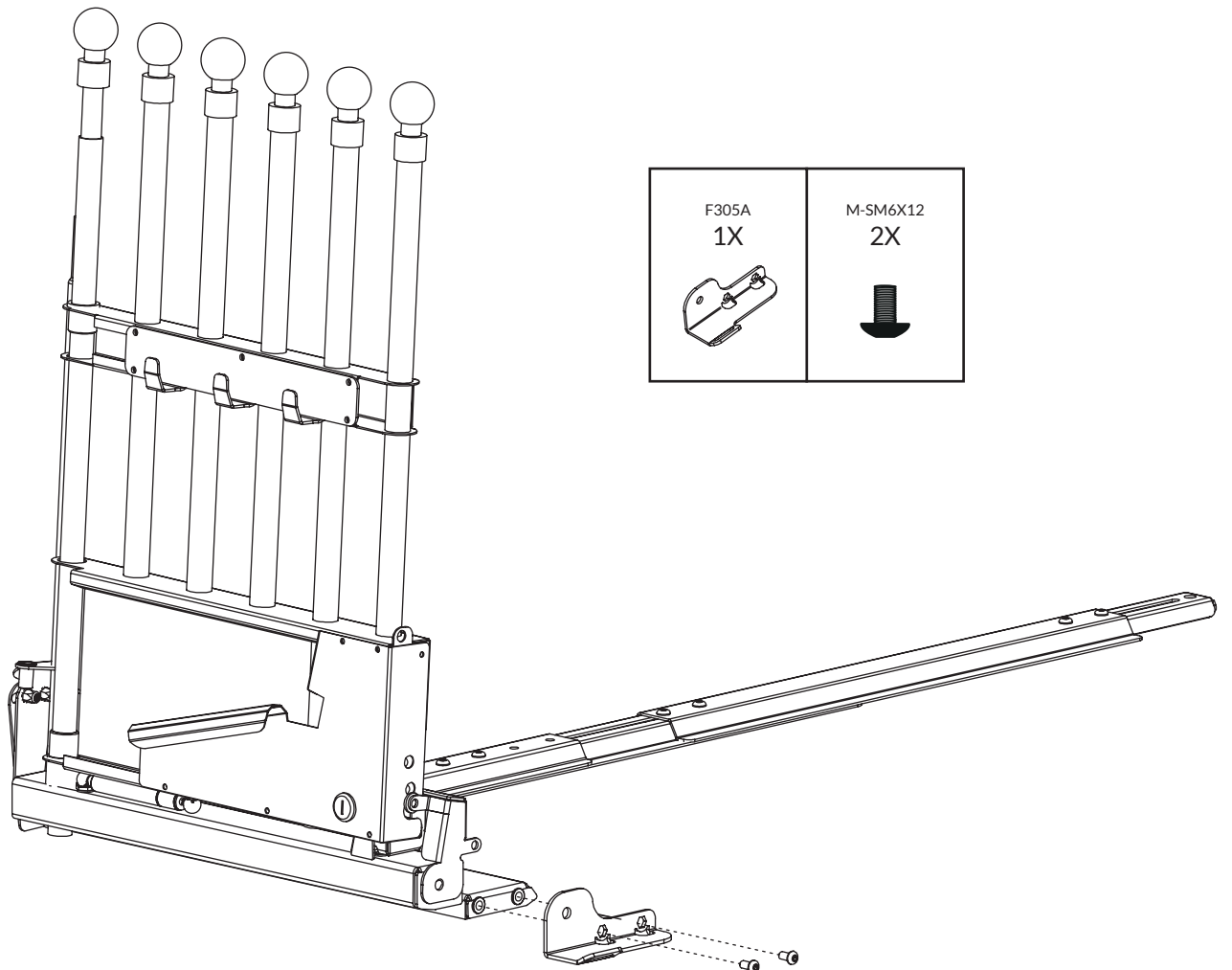


STEP  
**9**

M-SM6X12  
2X

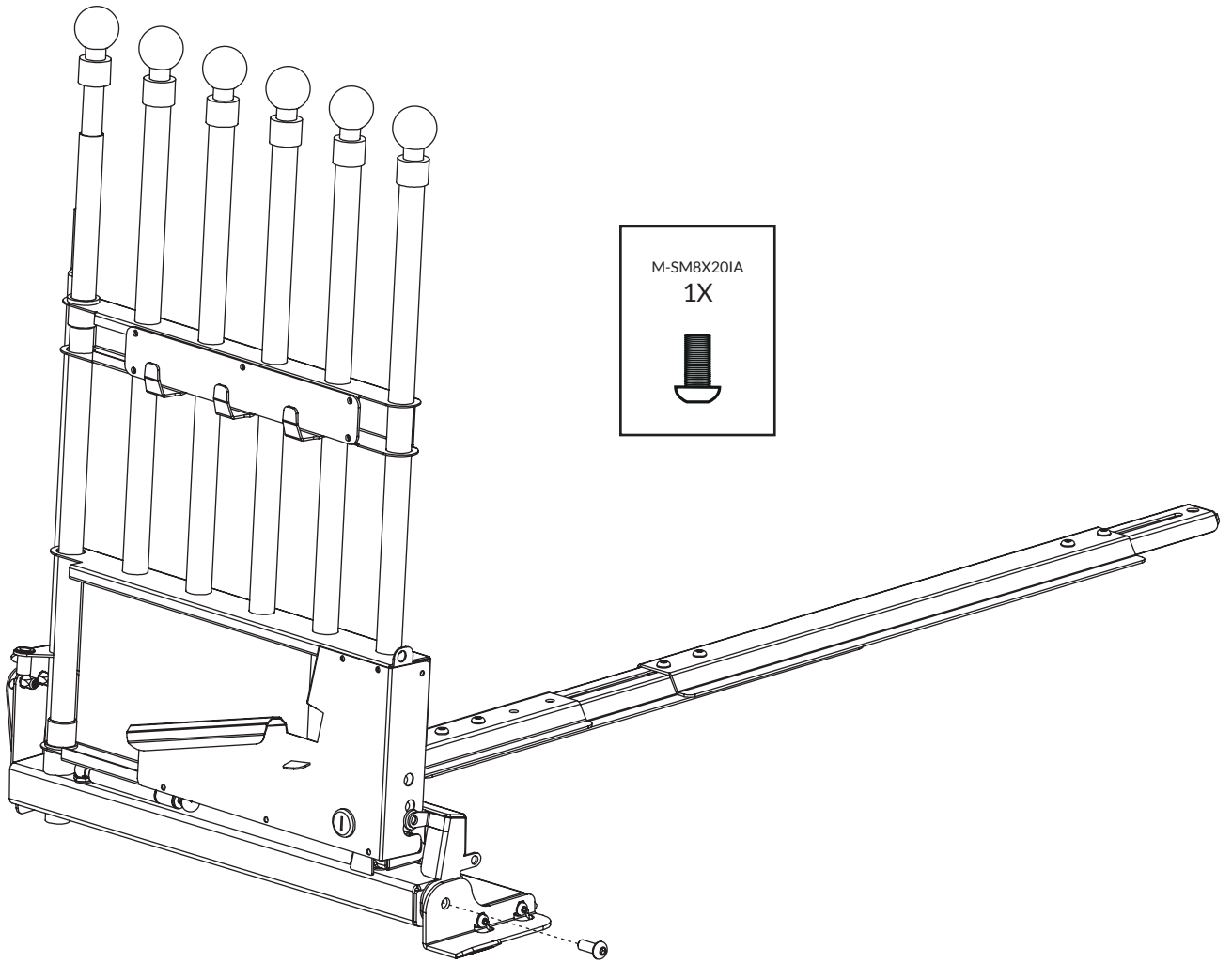


STEP  
**10**

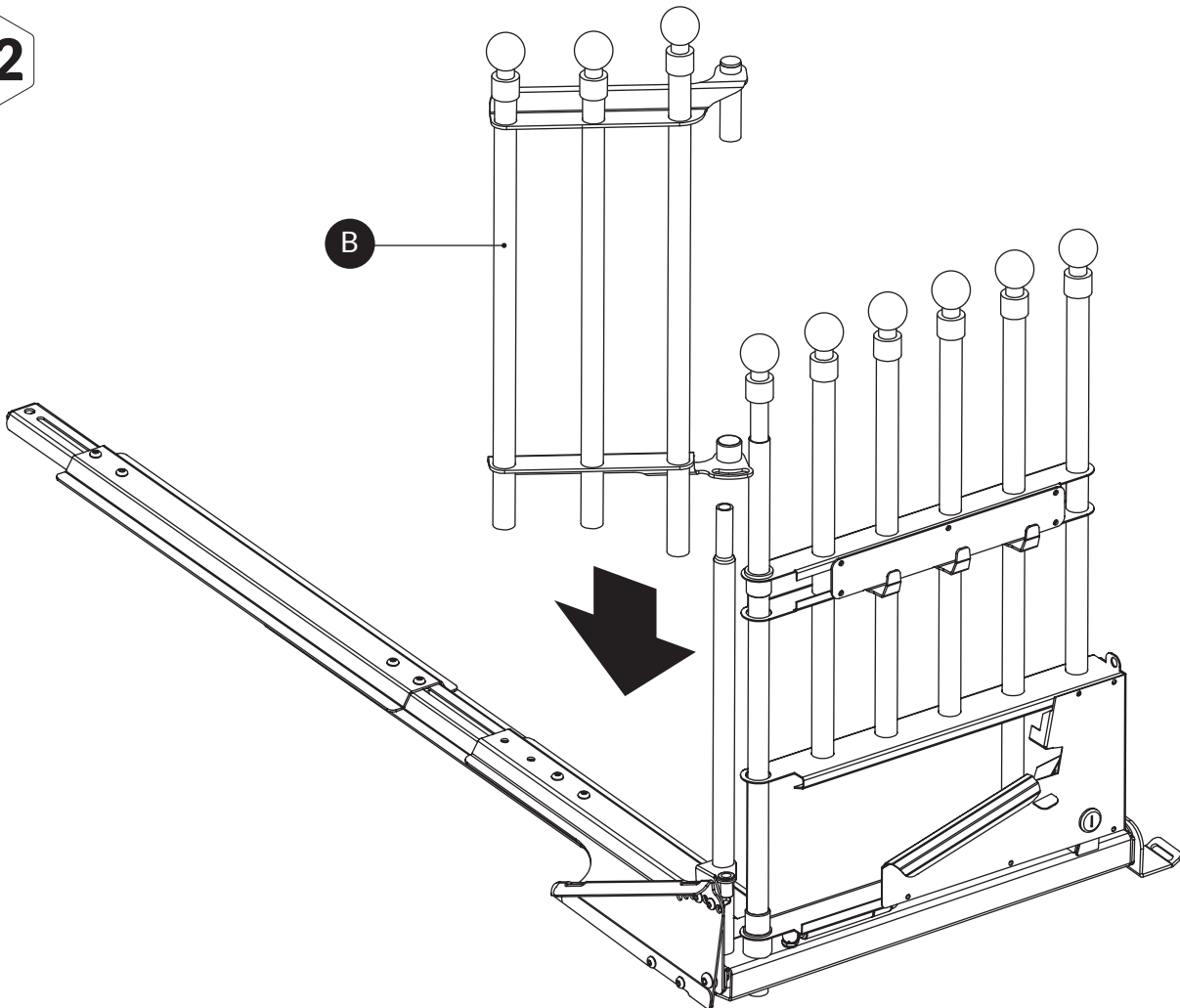
F305A 1X	M-SM6X12 2X
-------------	----------------





STEP  
**11**

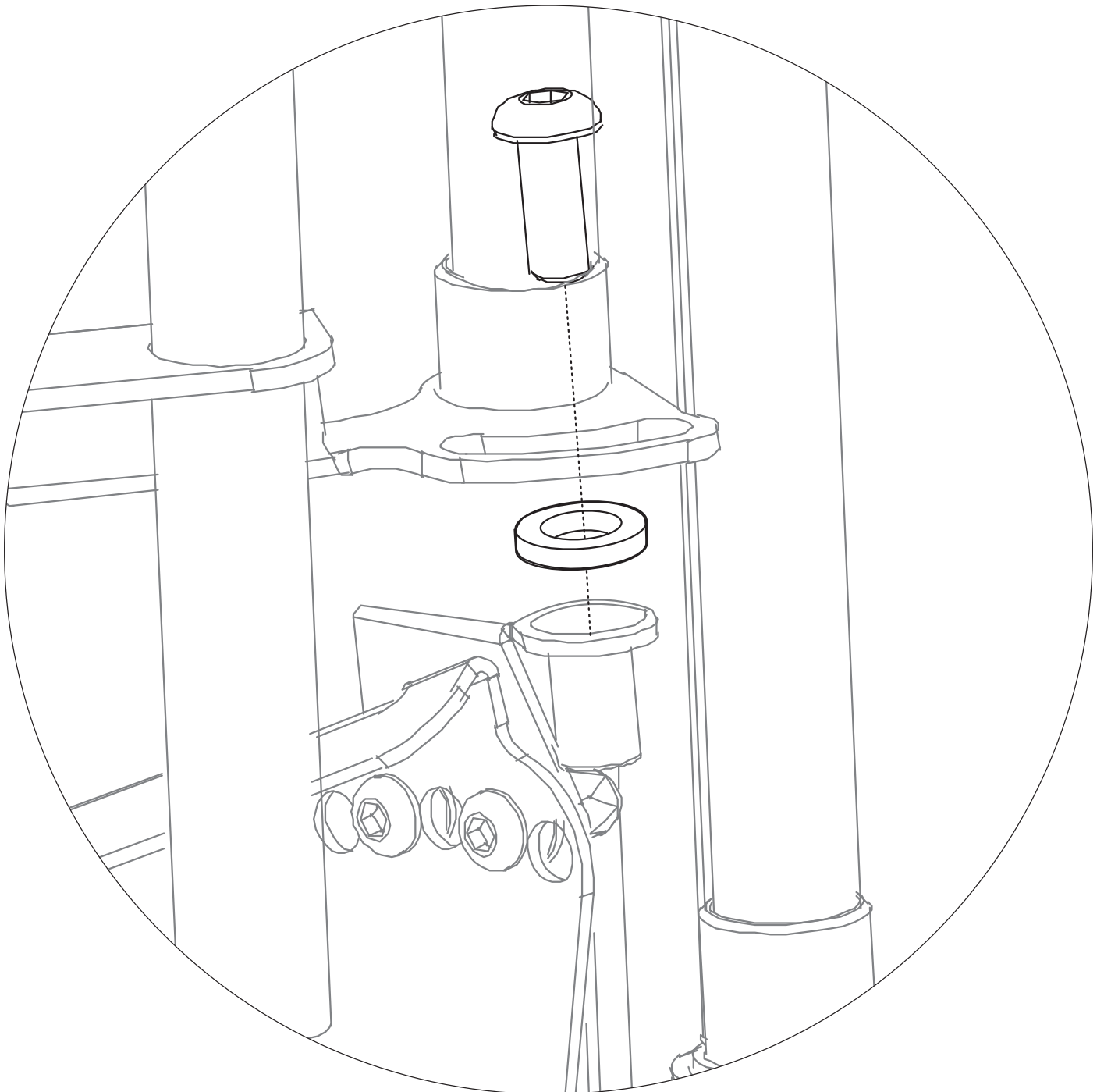
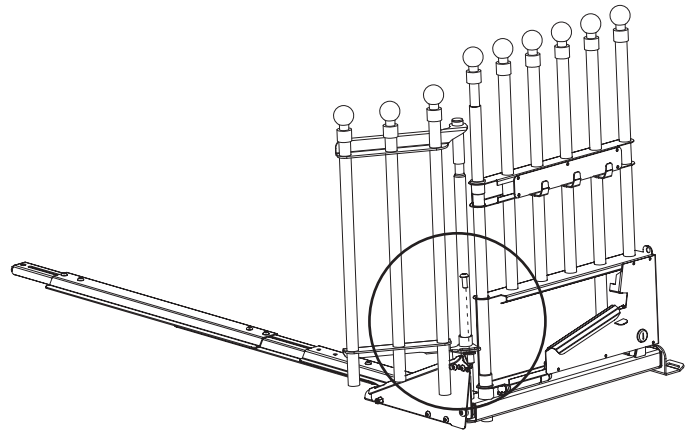


STEP  
**12**

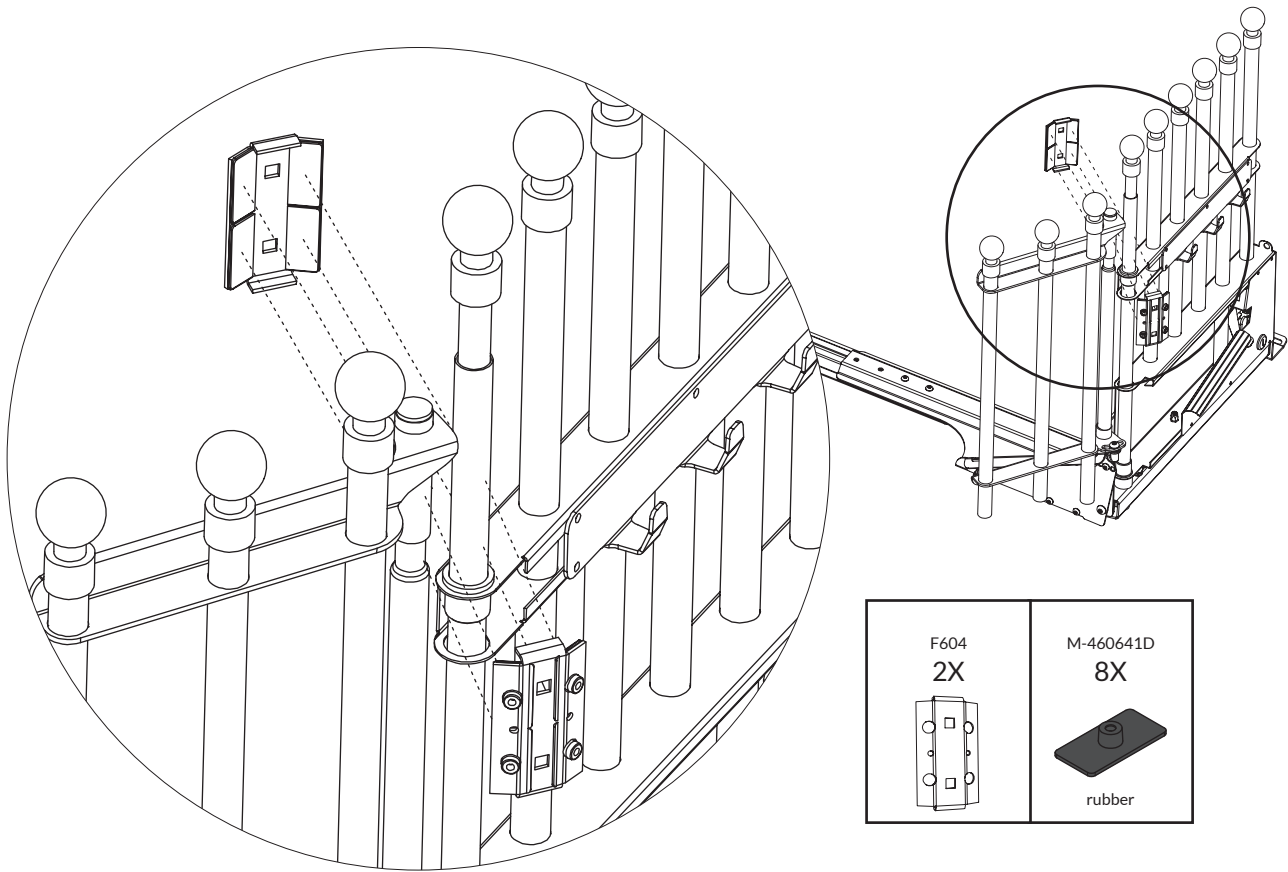


STEP  
**13**

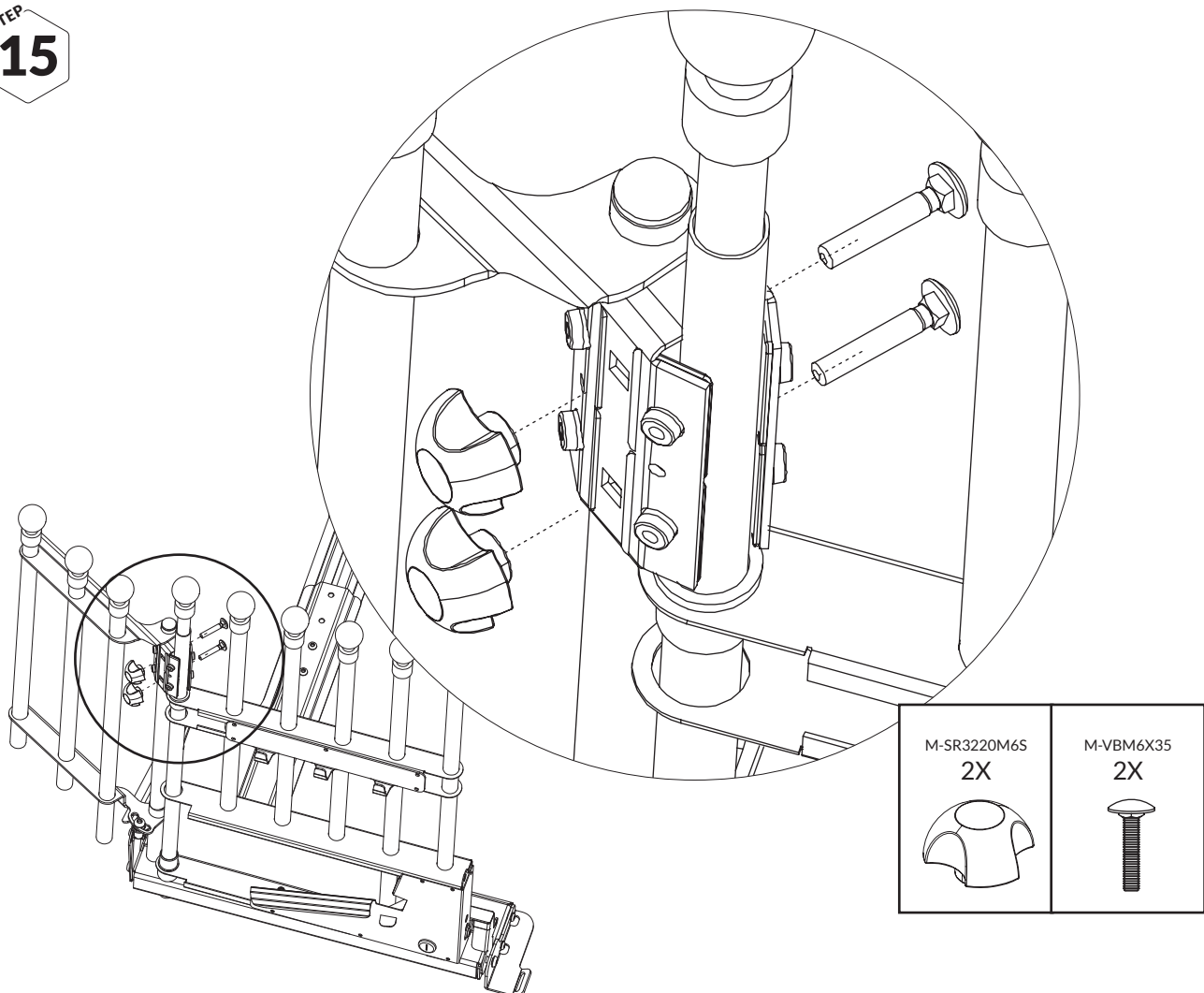
M-SM8X20IA 1X 	M-B2228.5SLD 1X  plastic
---	--



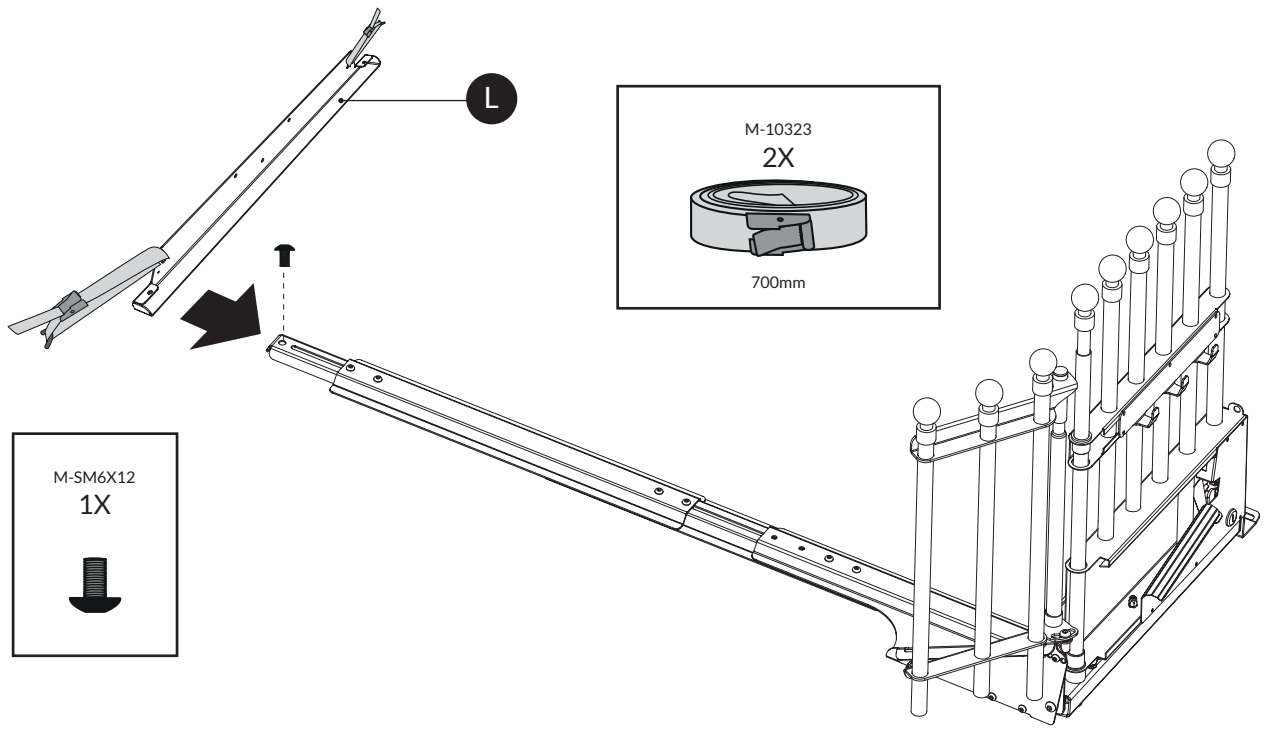
STEP  
**14**



STEP  
**15**



STEP  
**16**



STEP  
**17**

