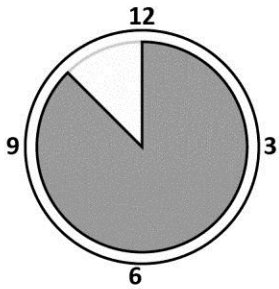





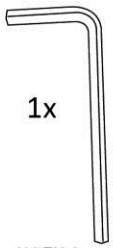
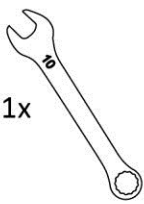




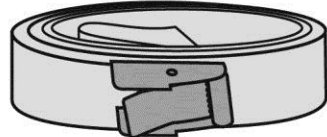


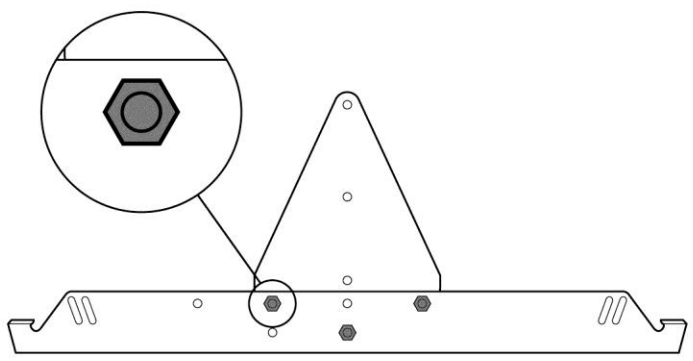
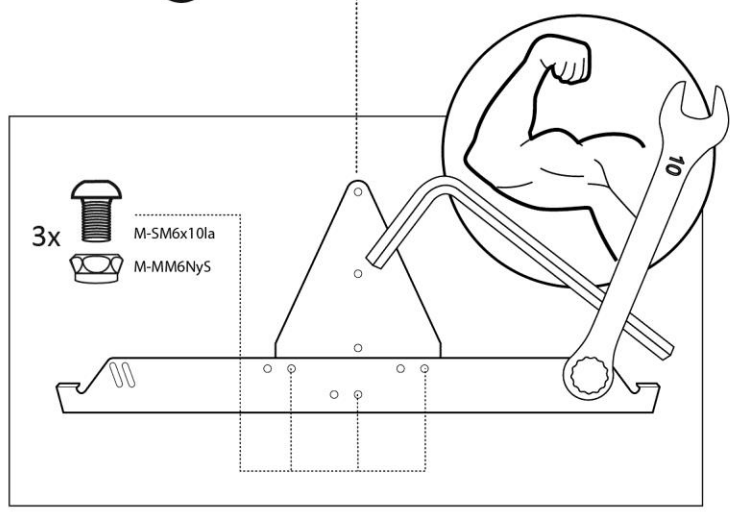
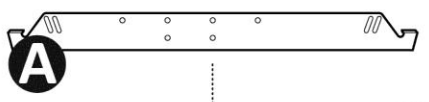
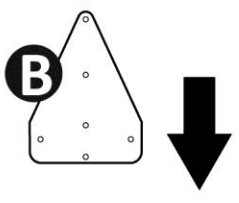
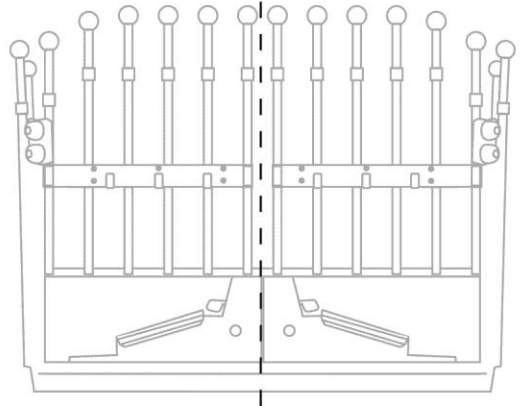
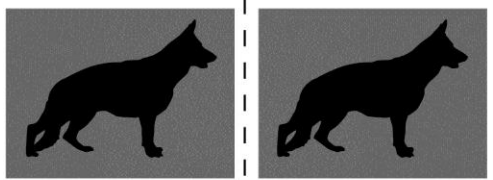
**mim**  
CONSTRUCTION  
»Variogate

/ Divider short/long «

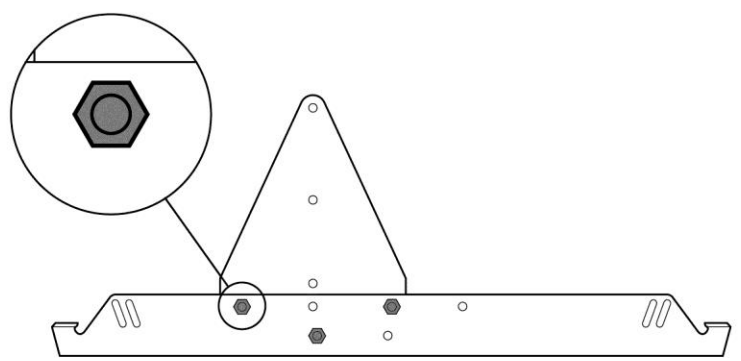
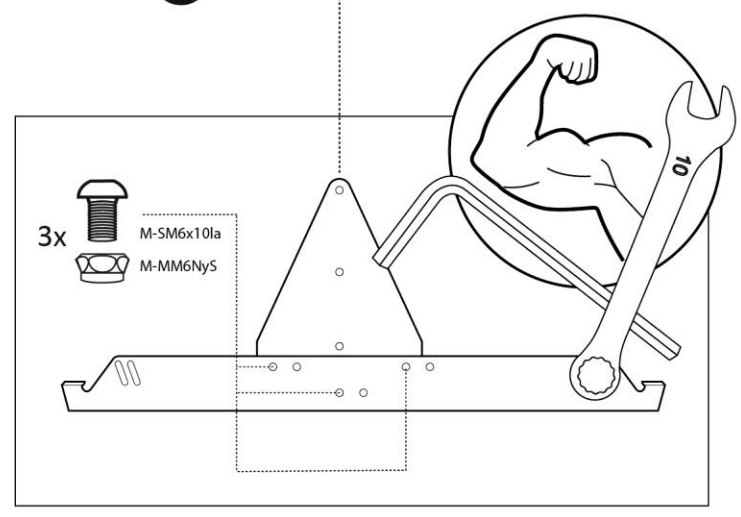
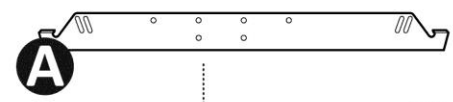
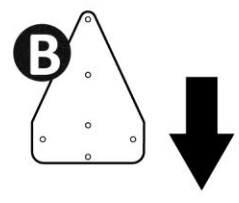
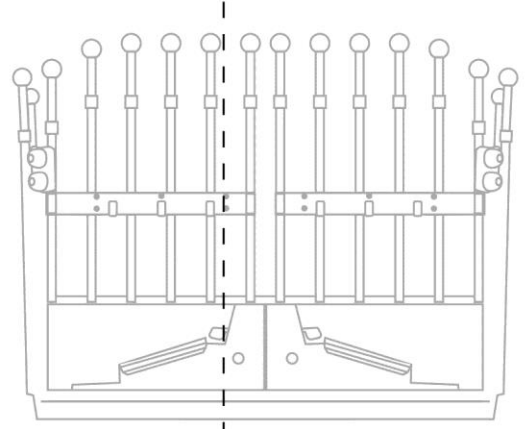
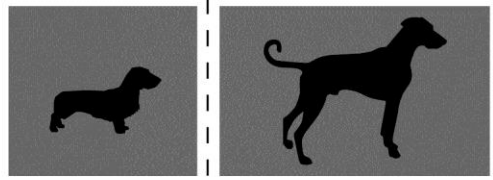


<p>12x </p> <p>M-B251,56,5SLD</p>	<p>18x </p> <p>M-BR6x19x15</p>	<p>10x </p> <p>M-SM6x16la</p>	<p>12x </p> <p>M-SR3220M6S</p>	<p>12x </p> <p>M-VBM6x30</p>	<p>1x </p> <p>ALLEN 4</p>	<p>1x </p> <p>SPANNER 5</p>
<p>18x </p> <p>M-SM6x10la</p>	<p>24x </p> <p>M-MM6Ny5</p>	<p>6x </p> <p>M-460641AY</p>	<p>6x </p> <p>M-460641AL</p>	<p>2x </p> <p>M-10240</p>		

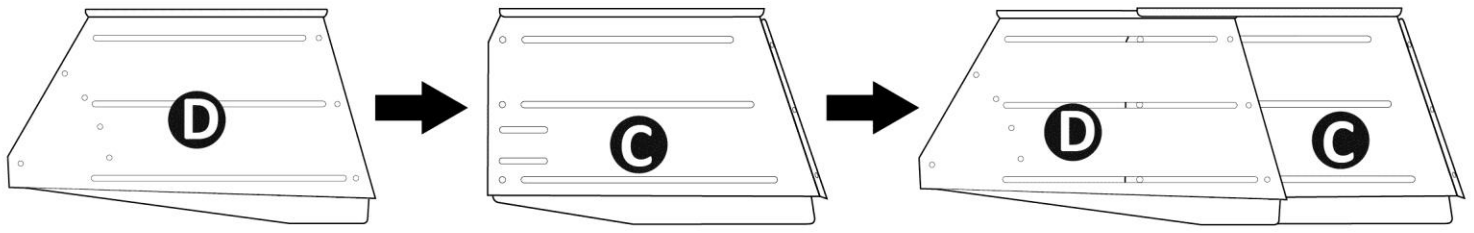
1



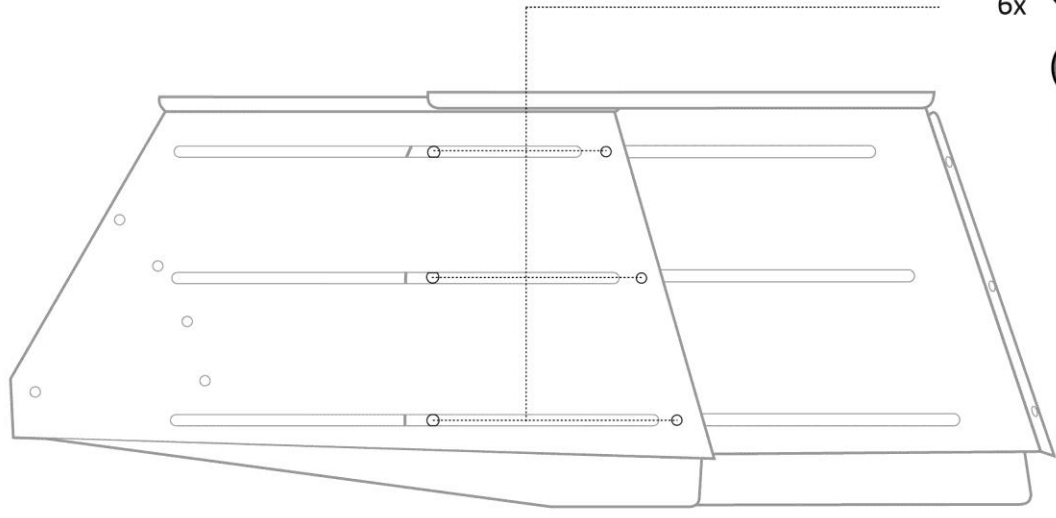
2







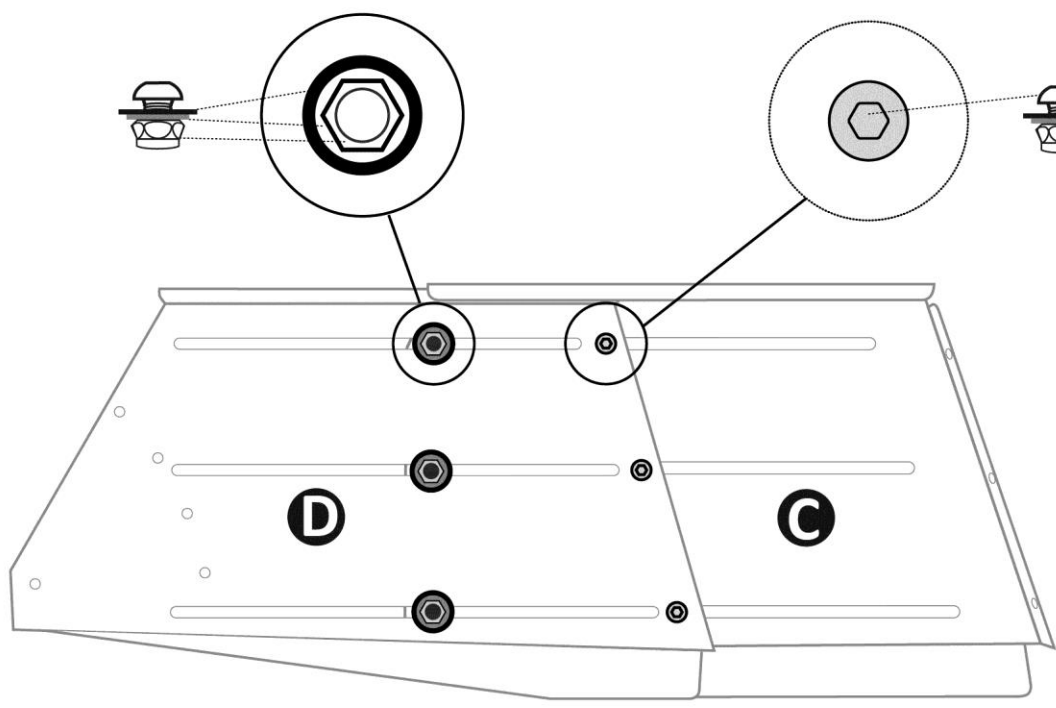
3



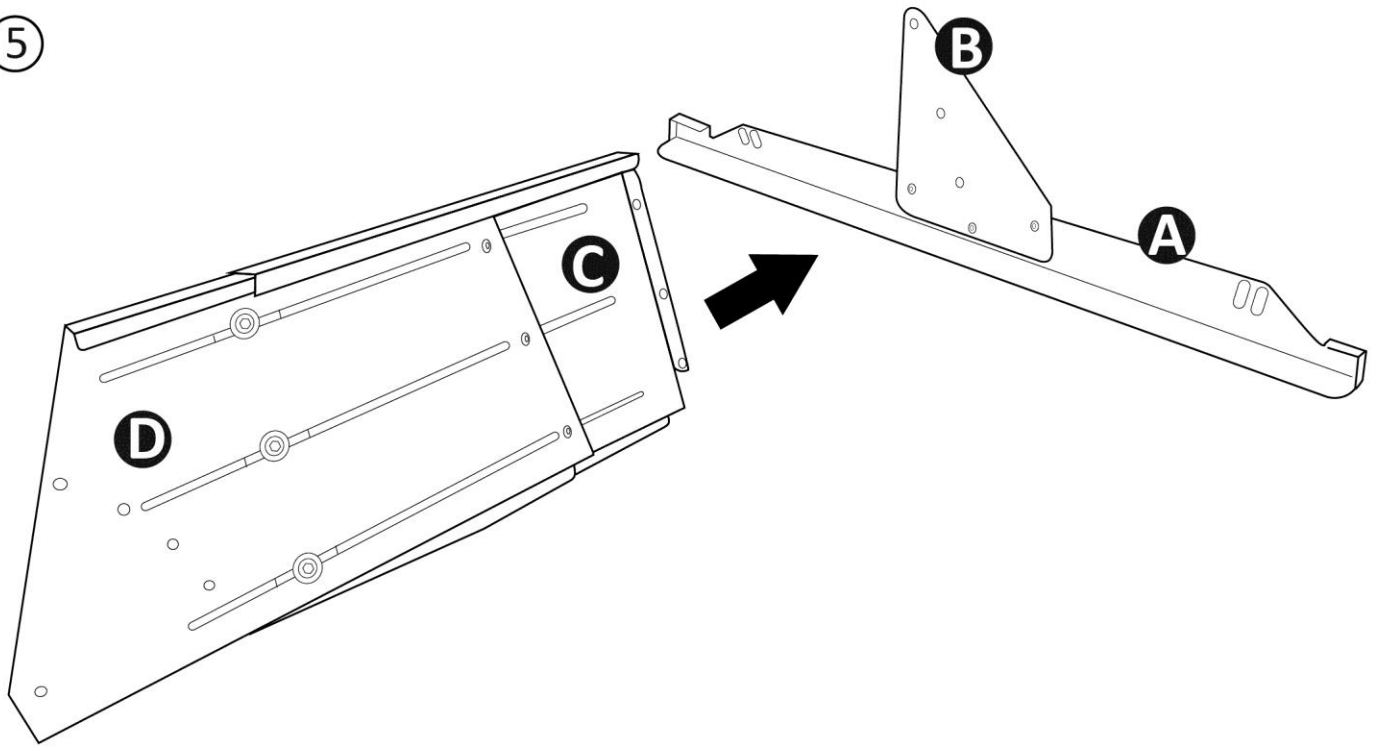
4



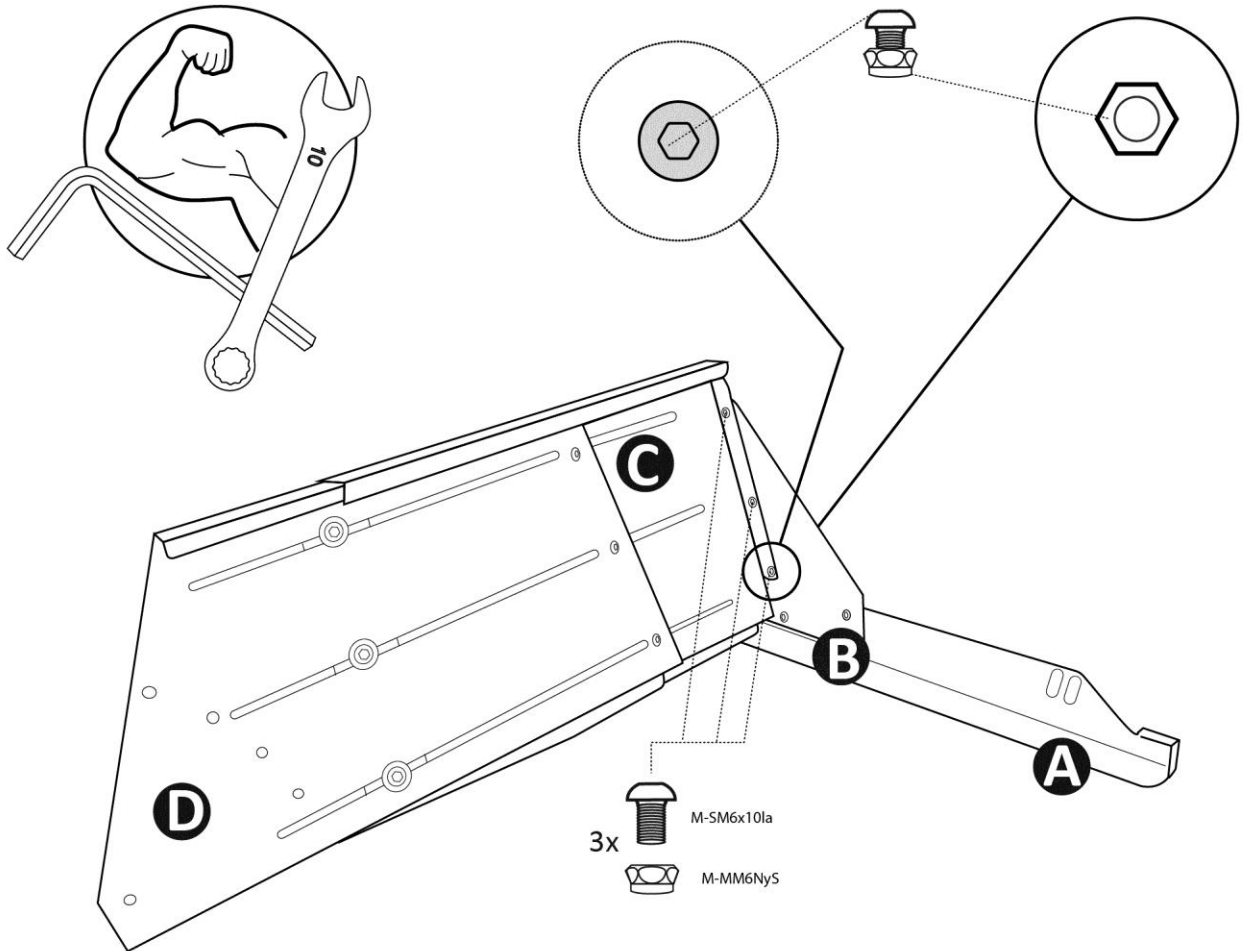
-  M-SM6x10la
- 6x**  M-B251,56,5SLD
-  M-BR6x19x1S
-  M-MM6NyS



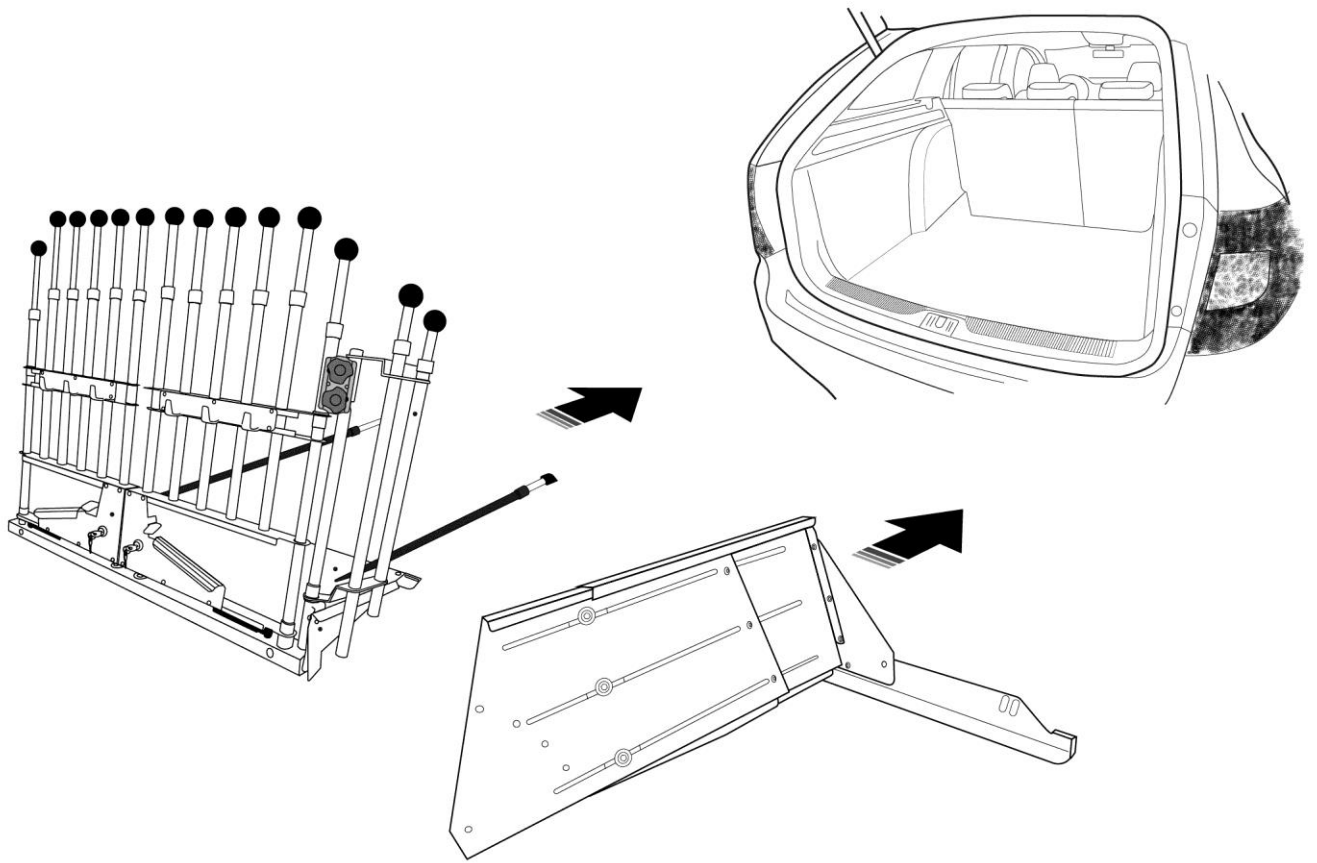
5



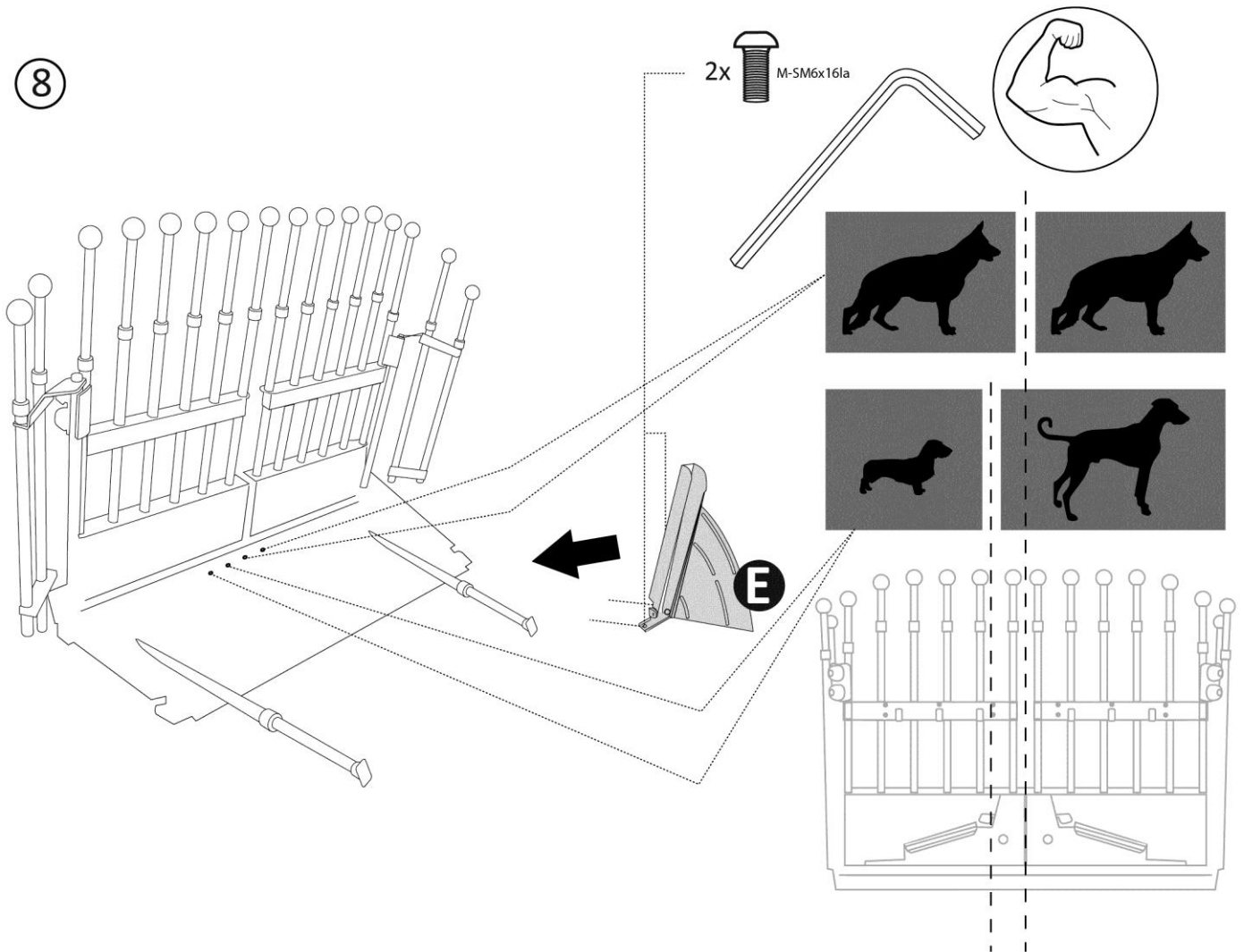
6



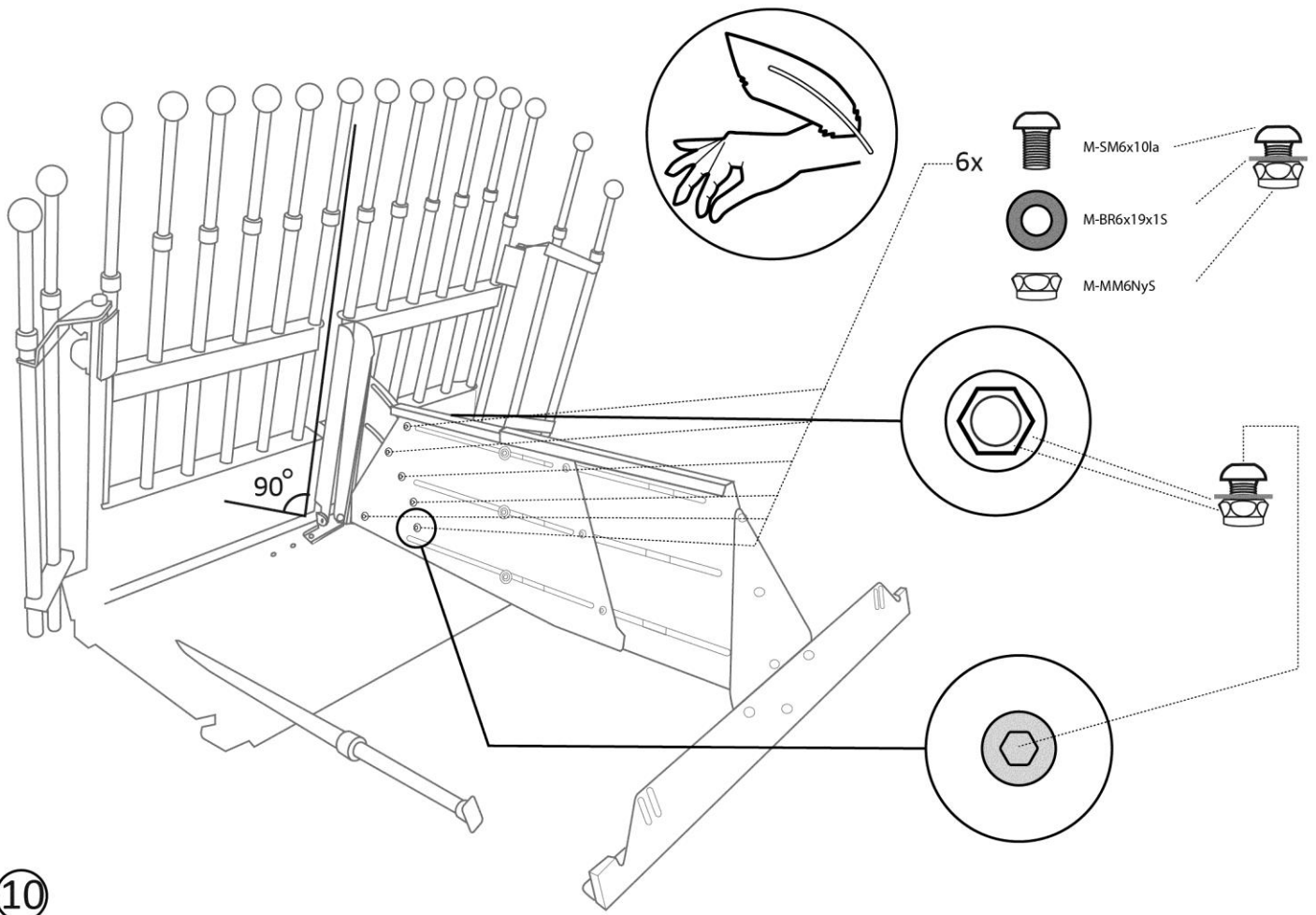
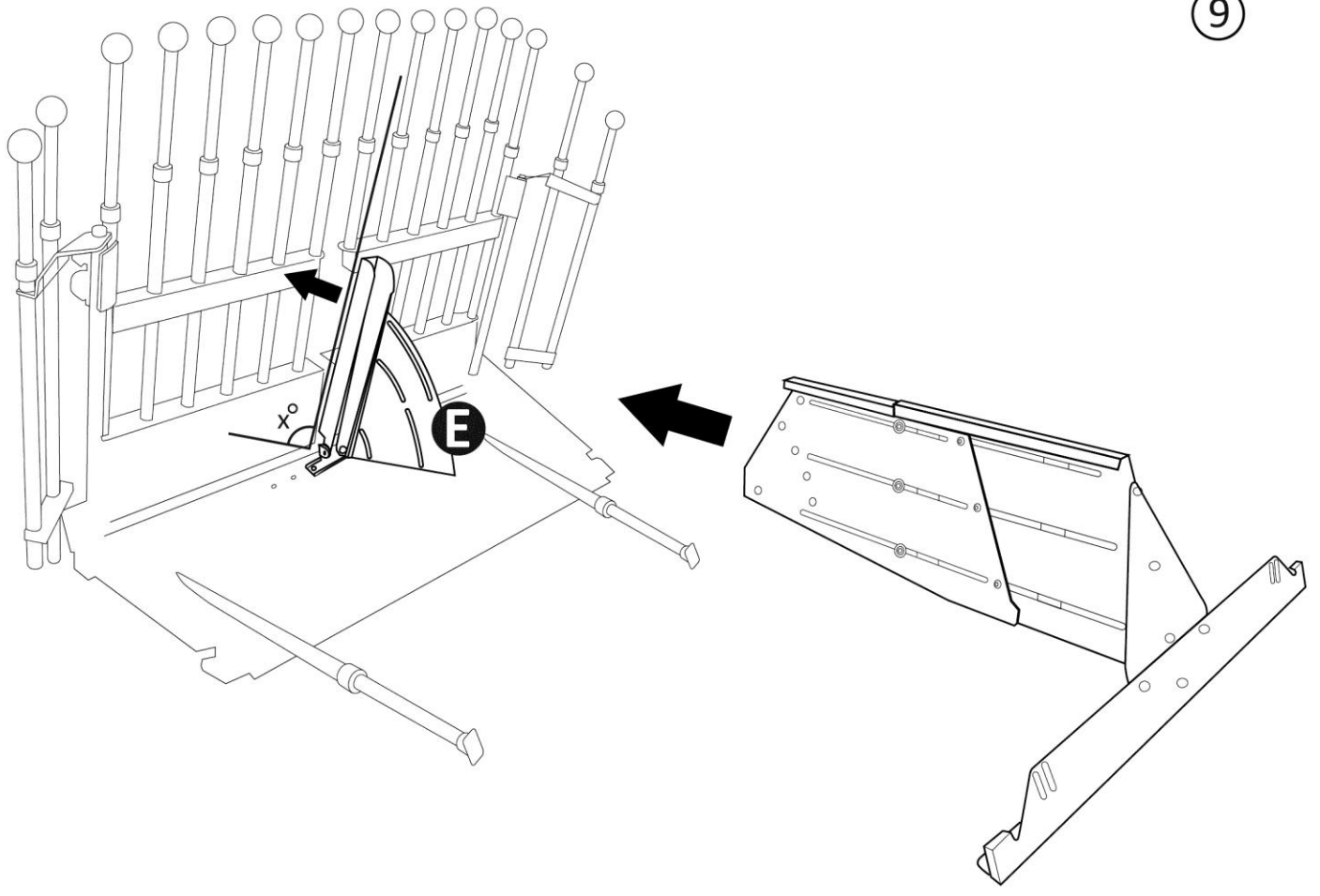
7



8

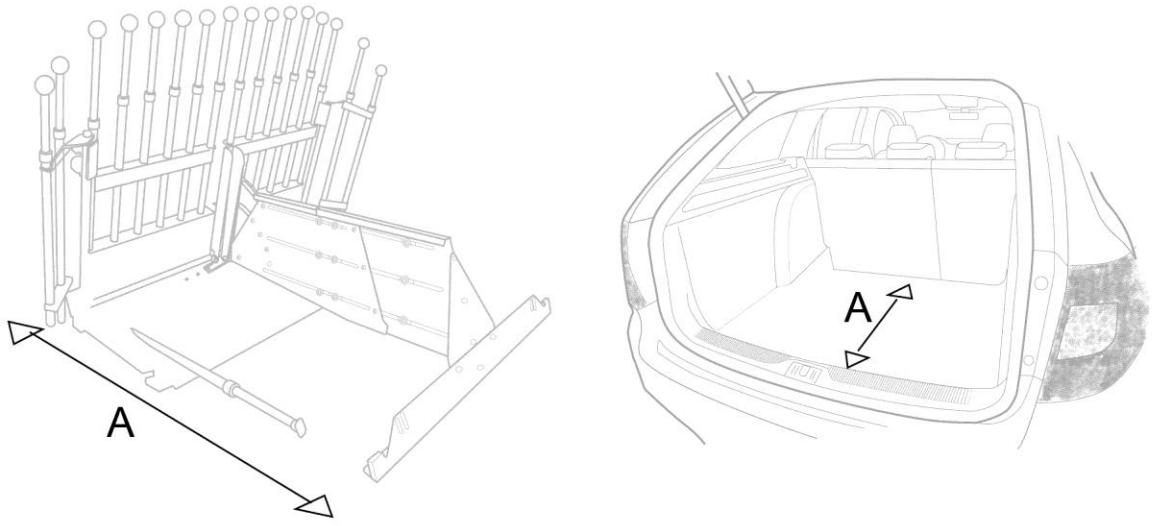


9

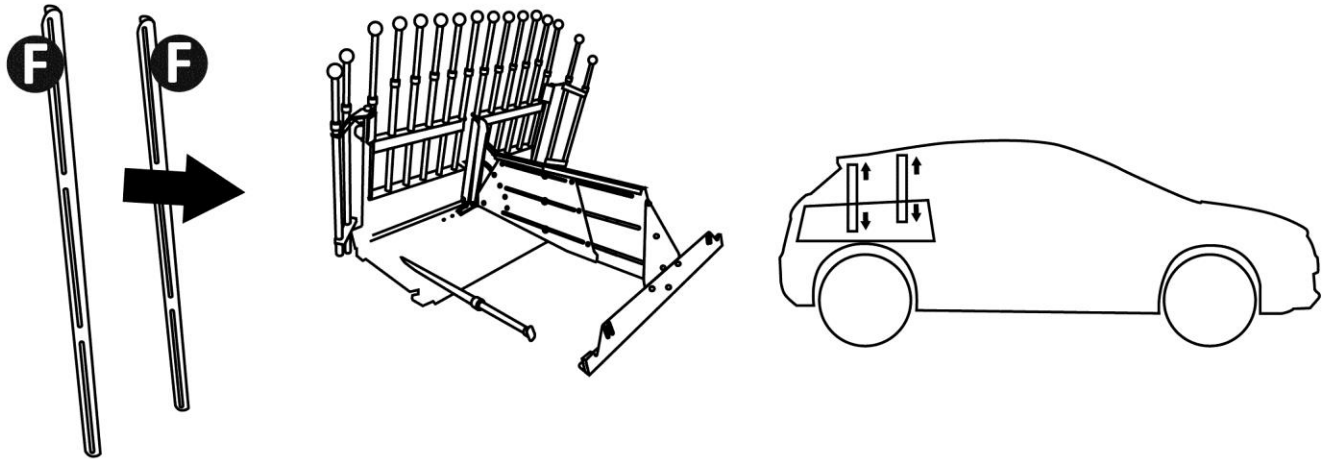


10

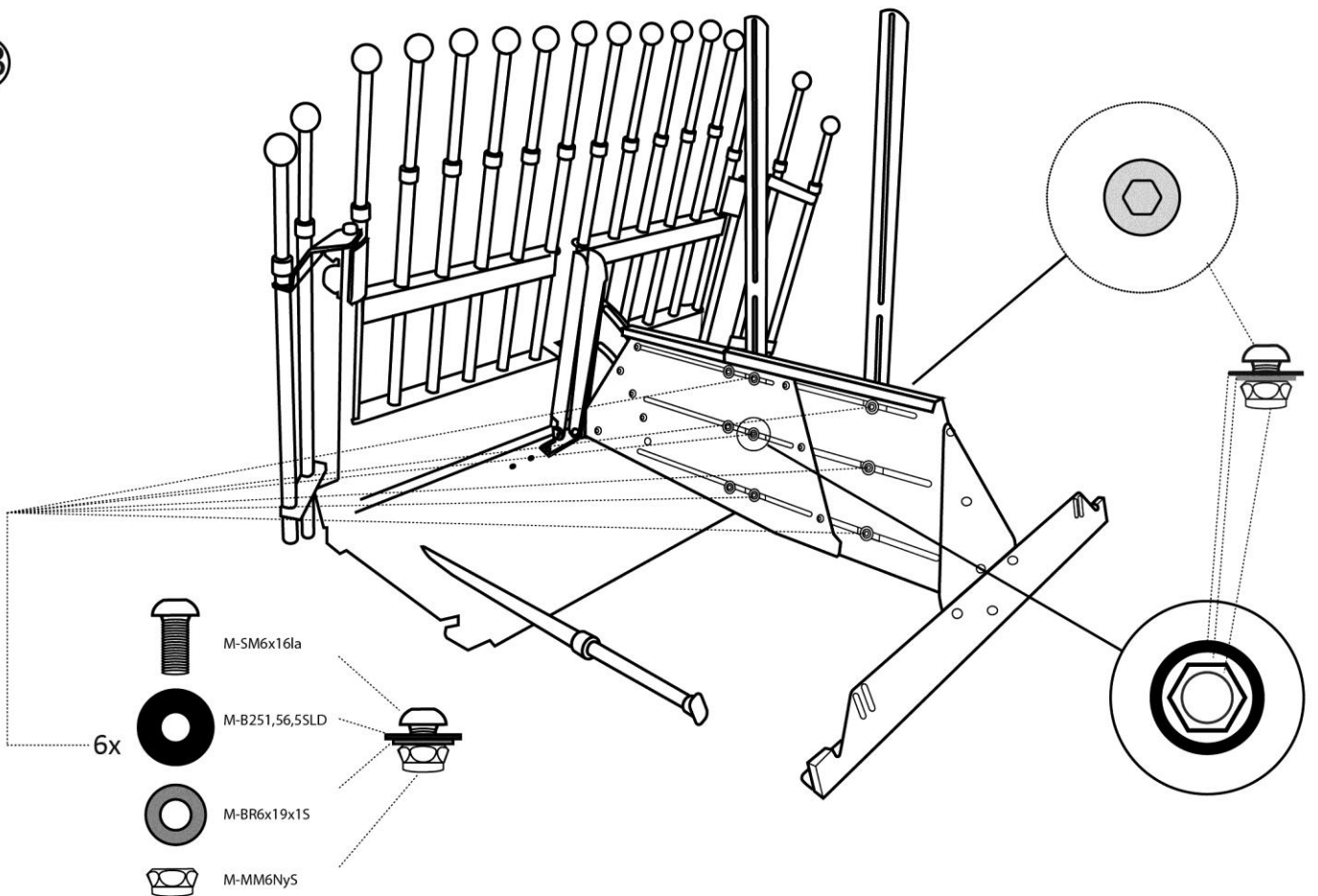
11



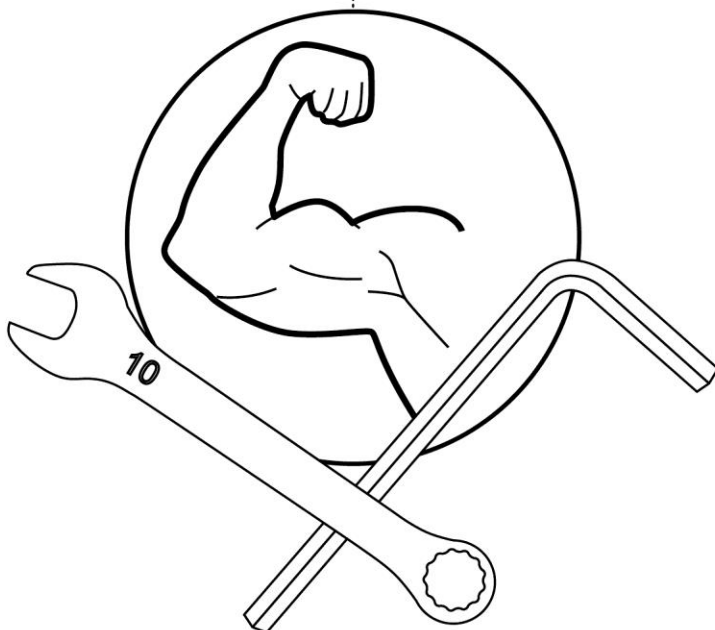
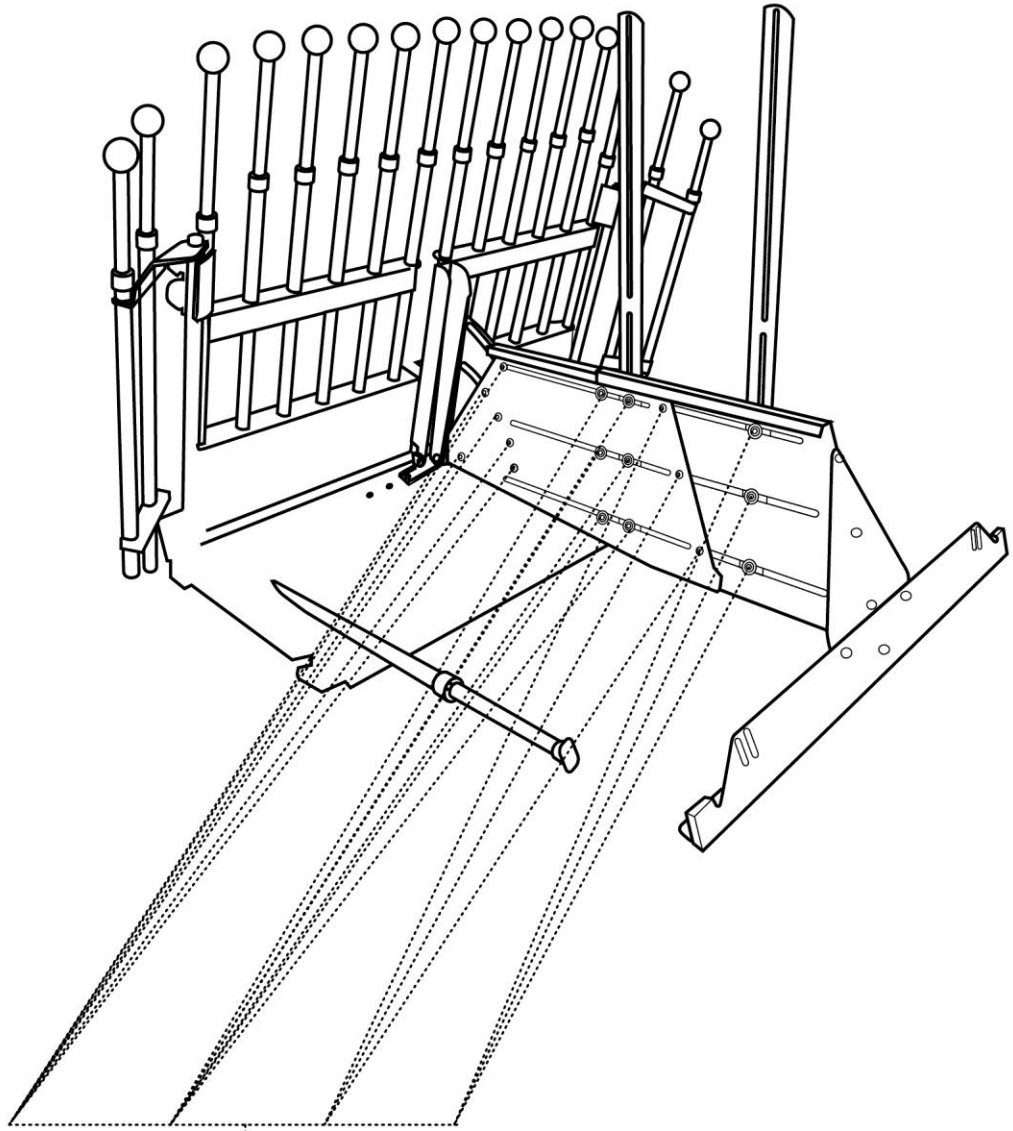
12



13



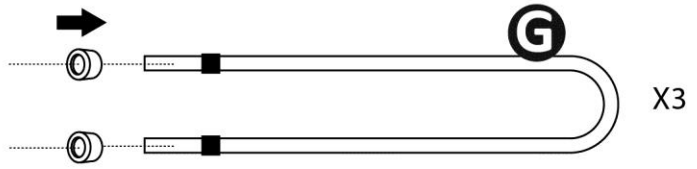
14



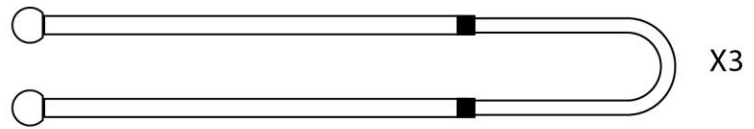
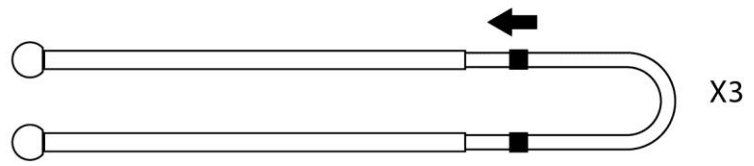
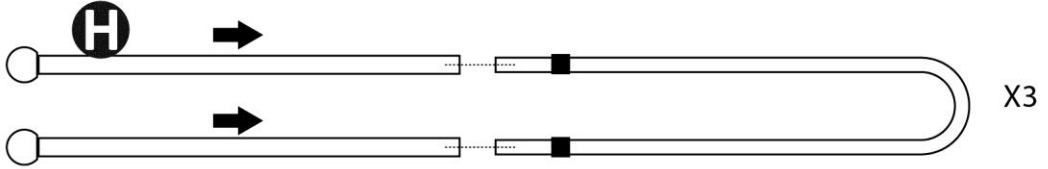
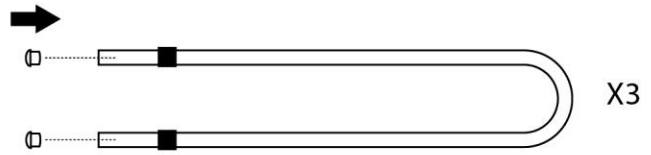


15

6x M-460641AY

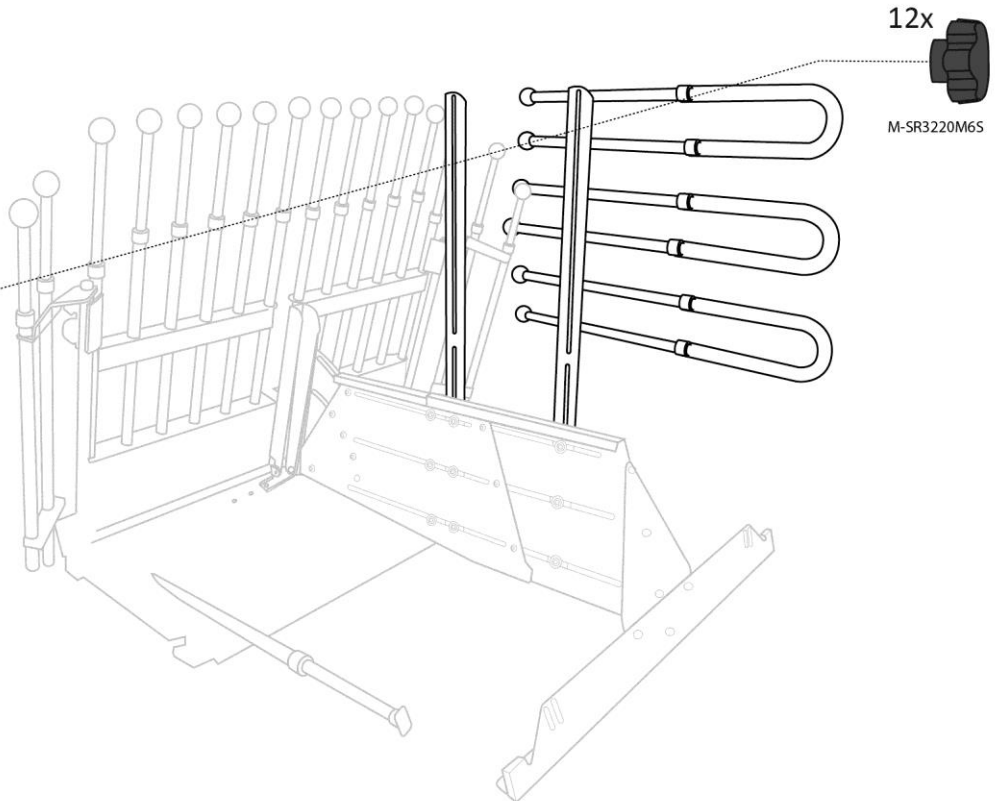
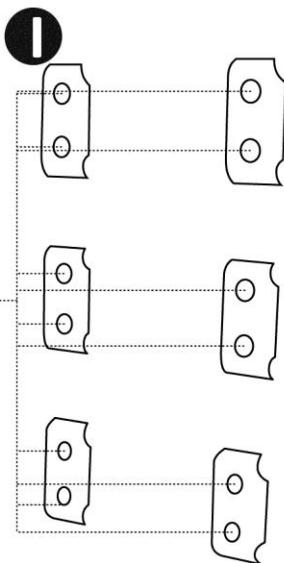


6x M-460641AL



16

12x M-VM6x35



17

